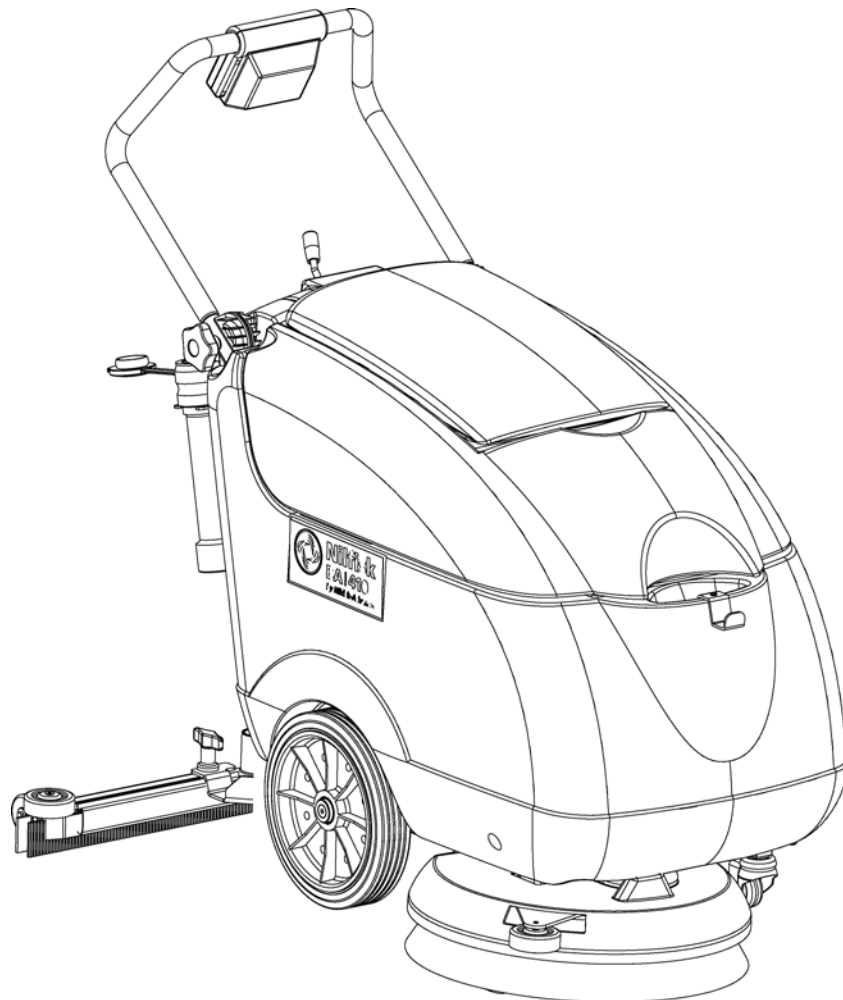
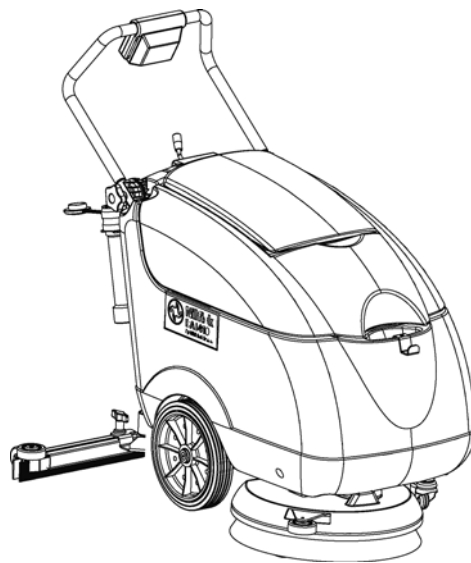


BA 410



**CATALOGO RICAMBI
PARTS LIST
ERSATZTEILLISTE
LISTE DE PIECES DETACHEES**



I	GB	D	F	Pagina Page Seite -Page
SERBATOIO ACQUA PULITA	SOLUTION TANK	FRISHWASSERTANK	RESERVOIR EAU PROPRE	2-3
SISTEMA ASPIRAZIONE	VACUUM SYSTEM	SAUGSYSTEM	SYSTEME D'ASPIRATION	4-5
SERBATOIO ACQUA SPORCA	RECOVERY TANK	SCHMUTZWASSER TANK	RESERVOIR EAU SALE	6-9
GRUPPO MANIGLIONE	HANDLE ASSEMBLY	FUEHRUNGSBUEGEL GRUPPE	GROUPE MANCHE DE CONDUIT	10-11
GRUPPO ELETTROVALVOLA	SOLUTION SYSTEM	WASSERZUFUEHRUNG	CIRCUIT DE SOLUTION	12-13
GRUPPO TERGITORE	SQUEEGEE ASSEMBLY	SAUGDUESENGRUPPE	SYSTEME D'EMBOCHOURE	14-15
GRUPPO SPAZZOLA	BRUSH SYSTEM	BUERSTENANTRIEBE	MOTEUR DE LA BROSSE	16-19
SISTEMA ELETTRICO	WIRING SYSTEM	ELEKTRISCHE SYSTEM	SYSTEM ELECTRIQUE	20-27
ACCESSORI	ACCESSORIES	ZUBEHOERE	OPTIONALS	28-31
RICAMBI CONSIGLIATI	RECOMMENDED SPARE PARTS	EMPFOHLENE ERSATZTEILE	PIECES DETACHEE RECOMMANDEE	32
SCHEMA ELETTRICO	WIRING DIAGRAM	SCHALTPLAN	DIAGRAMME ELECTRIQUE	33-34

WHEN ORDERING PARTS

- * Use the 8, 9 or 10 digit numbers from the "Ref. No." columns in this parts list.
- * Specify the model and serial number of the machine.
- * Use the space below to record the model and serial number for future reference.

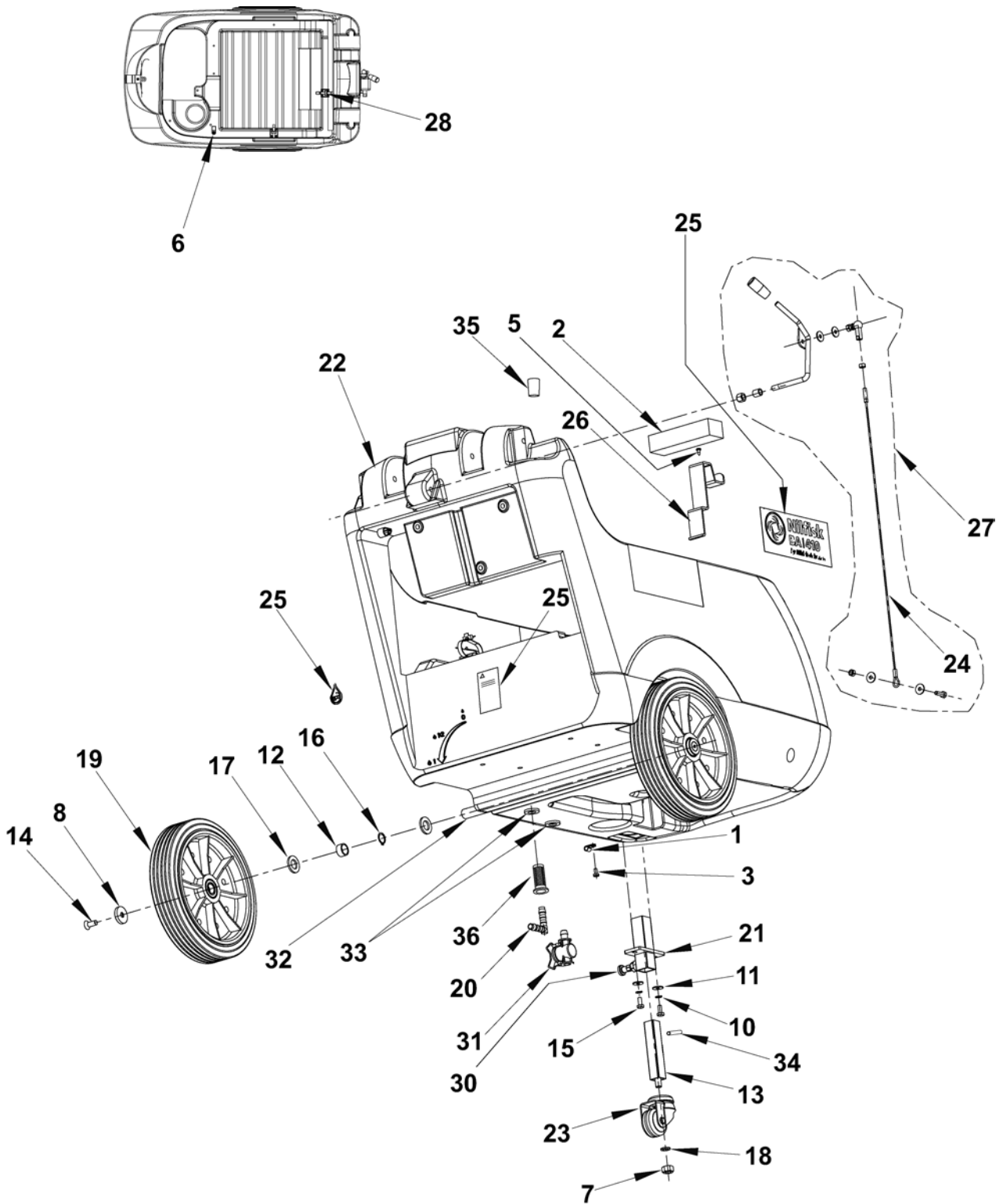
Model _____ Serial No. _____

*** = Optional**

= Modified item No. or New item No.

0 = Not shown

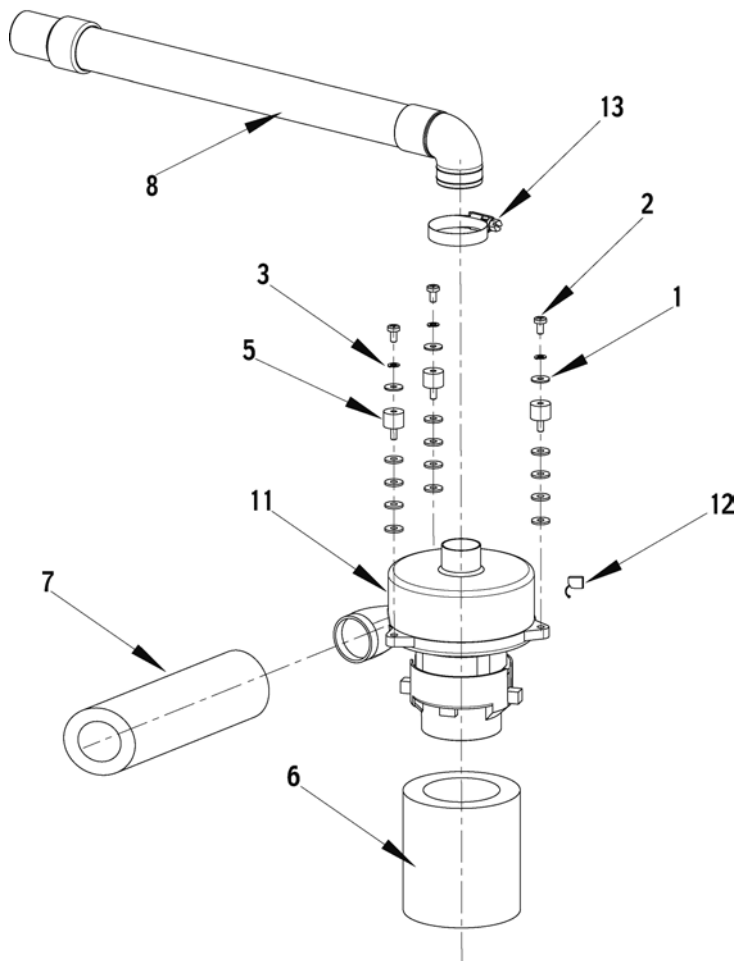
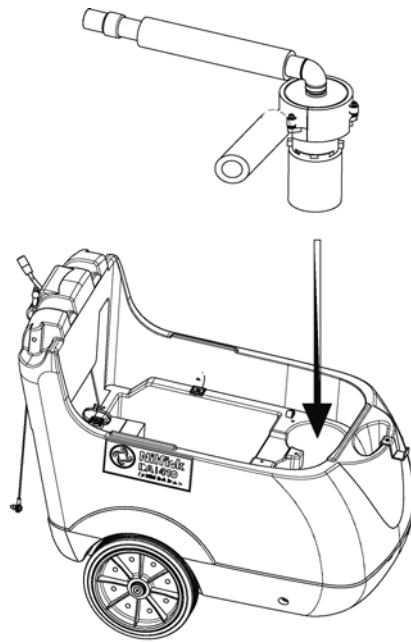
xxxxxx= Contained in a Kit



2004-08	SERBATOIO ACQUA PULITA / SOLUTION TANK	BOOK E		
2007-09	BA 410	E	7.9.1	3

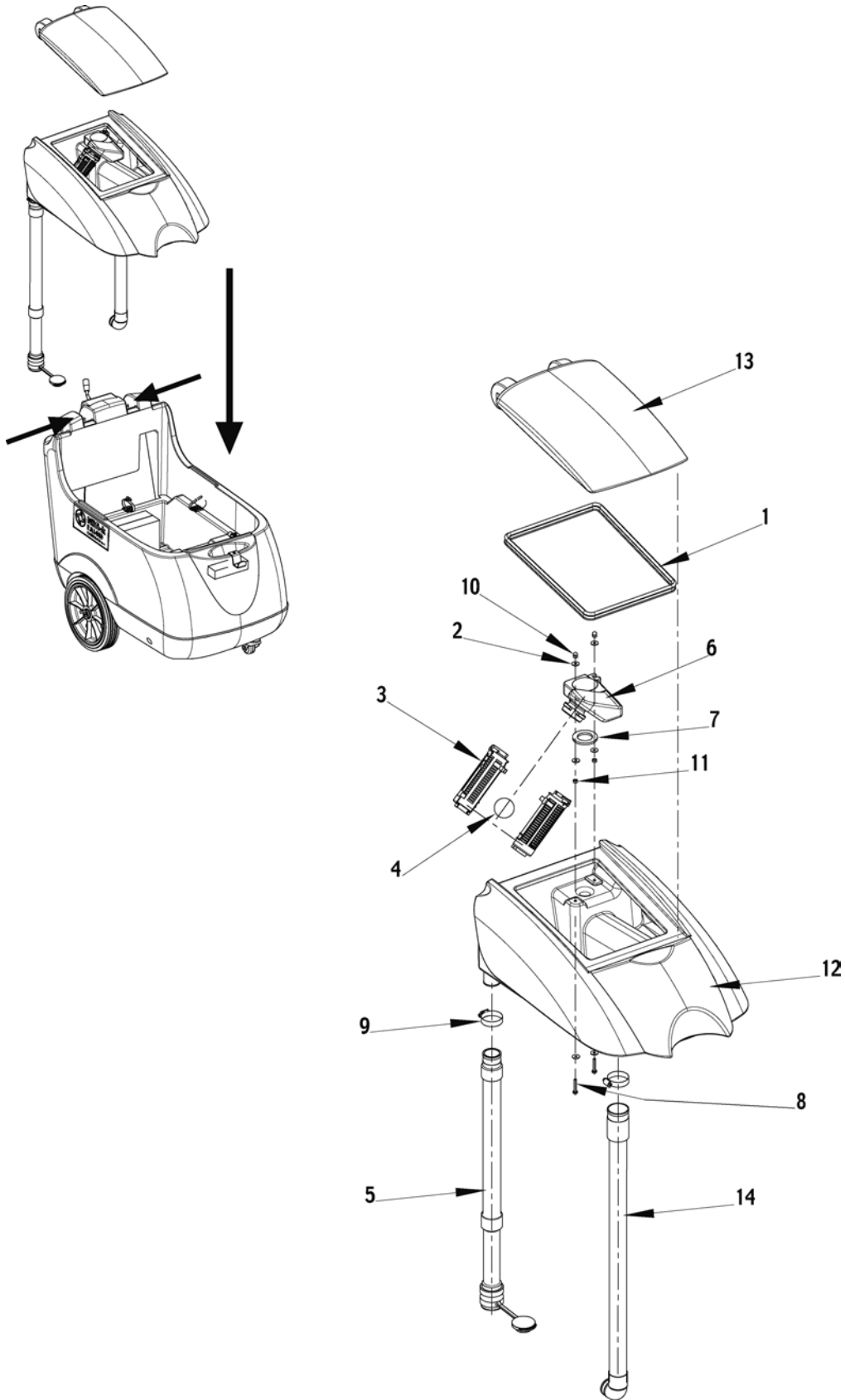
Pos Item Bild Rép	Codice Ref. No. Art. Nr. Réf. No	Q.tà Qty Menge Qté	Descrizione	Description	Beschreibung	Désignation
1	xxxxxxxxxx	3	FASCETTA STRINGICAVO	CLAMP	SHELLE	COLLIER
2	909 5674 000	1	SPUGNA INGRESSO ACQUA PULITA	SPONGE FRESH WATER INLET	SCHAUM WASSEREINGANG	EPONGE
3#	L08603041	5	VITE TCTC M5X10	SCREW CYL HD M5X10	SCHRAUBE	VIS
5	xxxxxxxxxx	1	VITE TBTC 4,2X9,5 AUTOF.	SCREW 4,2X9,5 THD FORM	SCHRAUBE	VIS
6#	xxxxxxxxxx	2	FASCETTA STRINGICAVO	CLAMP	SHELLE	COLLIER
7	xxxxxxxxxx	1	DADO E.ALTO AUTOBL. M10	NUT HEX HIGH SELF LOCK M10	MUTTER	ECROU
8#	L08812392	2	DISTANZIALE PER SERBATOIO	SPACER FOR TANK	ABSTANDSTUECK FUER TANK	ENTRETOISE
10	xxxxxxxxxx	2	RONDELLA E. SPACCATA 6	WASHER SPLIT 6	BEILAGSCHEIBE	RONDELLE
11#	L08228600	4	RONDELLA PIANA 6X18	WASHER FLAT 6X18	BEILAGSCHEIBE	RONDELLE
12	xxxxxxxxxx	2	DISTANZIALE	SPACER	ABSTANDSTUECK	ENTRETOISE
13	909 5658 000	1	ASTA SOSTEGNO MACCHINA	SUPPORTING ROD	STANGE	BRIDE
14	xxxxxxxxxx	2	VITE TSPEI M8X20	SCREW M8X20	SCHRAUBE	VIS
15	xxxxxxxxxx	2	VITE TE M6X14	SCREW HEX HD 6X14	SCHRAUBE	VIS
16	xxxxxxxxxx	2	SEEGER E 17	RETAINING RING	SICHERUNGSRING	CIRCLIPS
17	xxxxxxxxxx	4	RONDELLA PIANA 16X30	WASHER FLAT 16X30	BEILAGSCHEIBE	RONDELLE
18	xxxxxxxxxx	1	DISTANZIALE D.11X6X2	SPACER	ABSTANDSTUECK	ENTRETOISE
19A	9096915000	2	RUOTA COMPLETA	WHEEL	RAD	ROUE
20	909 5895 000	1	RACCORDO A 90° Ø10	ELBOW 90° Ø10	ELBOGEN	RACCORD
21	909 5649 000	1	SUPPORTO ASTA SOSTEGNO	SUPPORT	HALTER	SUPPORT
22	909 5551 000	1	SERBATOIO ACQUA PULITA	SOLUTION TANK	FRISHWASSERTANK	RESERVOIR EAU PROPRE
23	909 5560 000	1	RUOTA GIREVOLE	WHEEL	RAD	ROUE
24	909 5573 000	1	CAVO SOLLEVAMENTO TERGITORE	SQUEEGEE LIFTING CABLE	KABEL	CABLE
25	xxxxxxxxxx	1	ADESIVO NILFISK BA 410	DECAL BA 410	KLEBSTREIF.	ADHESIF BA 410
26	909 5644 000	1	STAFFA PER RETE DI PROTEZ.	BRACKET	STANGE	BRIDE
27	909 5700 000	1	KIT CAVO SOLLEVAMENTO TERGITORE	KIT SQUEEGEE LIFT CABLE	ZUSATZ SAUGDUESENKABEL	KIT SOULEVEMENT EMBOUCHURE
28	145 0524 000	3	FASCETTA 4,8X200	CLAMP	SHELLE	COLLIER
30	909 5641 000	1	PISTONCINO A MOLLA	INDEXING PLUNGER	KOLBEN	PISTON
31	909 5696 000	1	RUBINETTO SCARICO ACQUA	VALVE	FLUEGELHAHN	ROBINET
32	909 5748 000	1	ALBERO RUOTE	WHEELS SHAFT	WELLE	ARBRE
33	909 5286 000	2	GUARNIZIONE	GASKET	DICHTUNG	JOINT
34	909 6441 000	1	SPINA 3X20	PIN 3X20	ZAPFEN	GOUPILLE
35	909 6236 000	1	TAPPO NERO	BLACK CAP	PFROPFEN	BOUCHON
36*A	9096916000	1	FILTRO SERB. SOLUZIONE	FILTER	FILTER	FILTRE
0	909 5986 000	1	KIT VITERIA (1,5,6,7,10,11,12,14,15,1 6,17,18)	SOLUTION TANK HARDWARE KIT (1,5,6,7, 10,11,12,14,15,16,17,18)	SCHRAUBEN SATZ (1,5,6,7,10,11,12,14,15, 16,17,18)	KIT VIS (1,5,6,7,10,11,12,14,15,1 6,17,18)
0	909 5714 000	1	KIT ADESIVI BA 410	DECALS KIT BA 410	KLEBSTREIF. ZUSATZ	KIT ADHESIF BA 410
0	909 6226 000	1	KIT GOMMA PARACOLPI PER RUOTA GIREVOLE	RUBBER SHOCK ABSORBER KIT	ZUSATZ GUMMI FUER RAD	KIT CAOTCHOUK POUR RUE
0	909 6227 000	1	ISTRUZIONI DI MONTAGGIO KIT GOMMA PARACOLPI	INSTALLATION INSTRUCTION F RUBBER SHOCK ABSORBER KIT	MONTAGE ANGABEN F ZUSATZ GUMMI FUER RAD	INSTRUCTION P MONTAGE KIT CAOTCHOUK POUR RUE

A: SEE TSB IT 2007-015



2004-08	SISTEMA ASPIRAZIONE / VACUUM SYSTEM	BOOK E		
2007-05	BA 410	E	7.9.1	5

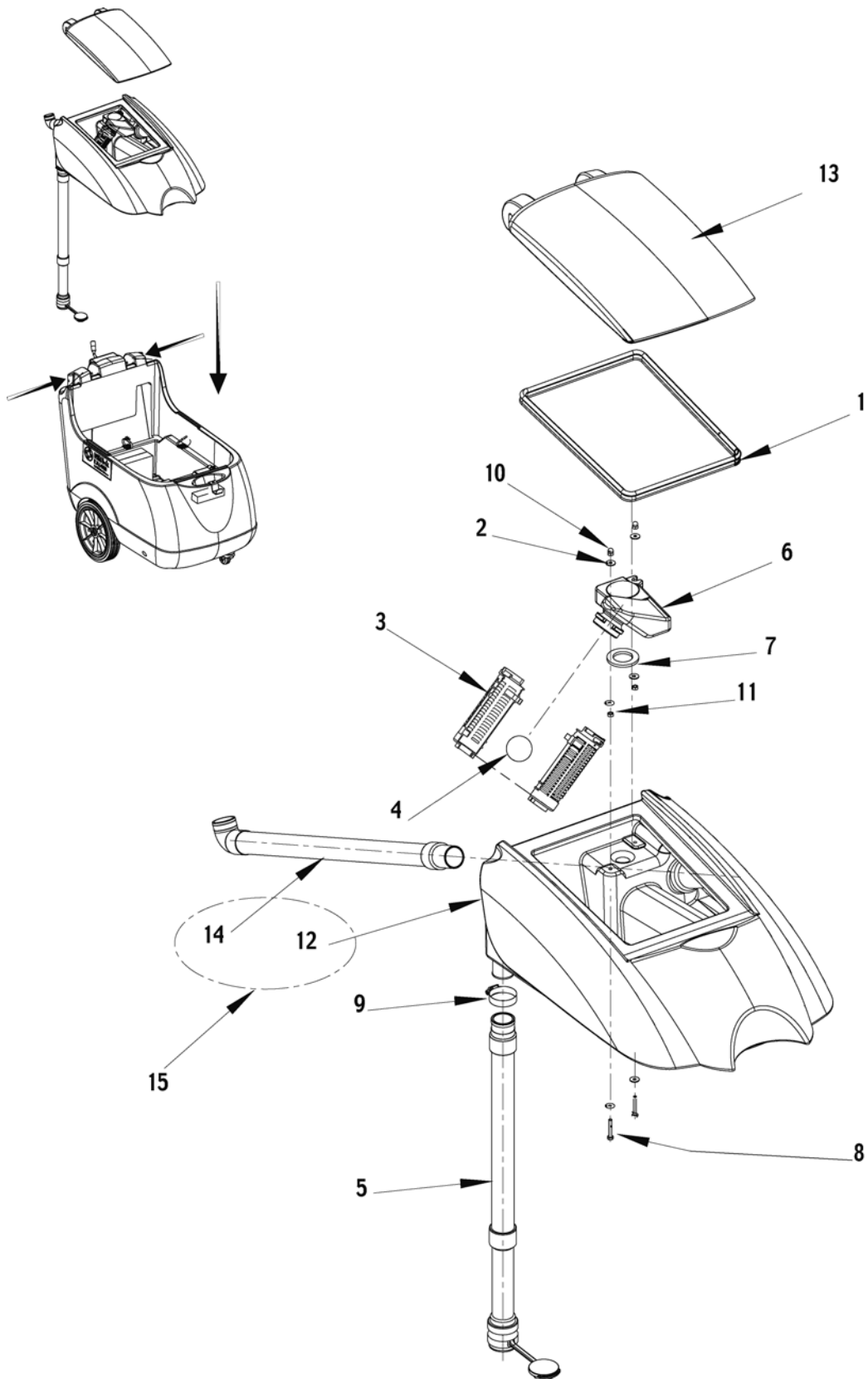
Pos Item Bild Rép	Codice Ref. No. Art. Nr. Réf. No	Q.tà Qty Menge Qté	Descrizione	Description	Beschreibung	Désignation
1	xxxxxxxxxx	15	RONDELLA PIANA 6X18	WASHER FALT 6X18	BEILAGSCHEIBE	RONDELLE
2	xxxxxxxxxx	3	VITE TCTC M6X12	SCREW CYL HD M6X12	SCHRAUBE	VIS
3	xxxxxxxxxx	3	RONDELLA E.SPACCATA 6	WASHER SPLIT 6	BEILAGSCHEIBE	RONDELLE
5	909 5198 000	3	ANTIVIBRANTE CILINDRICO	VIBRATION DAMPING M6	SCHWINGUNGSDAEMPFER	SILENT BLOC
6	909 5564 000	1	TUBO FONOASSORBENTE	PIPE ACOUSTIC INSULATION	SCHALLDAMPFEND SCHLAUCH	TUYAU ANTIBRUIT
7	909 5565 000	1	TUBO FONOASSORBENTE	PIPE ACOUSTIC INSULATION	SCHALLDAMPFEND SCHLAUCH	TUYAU ANTIBRUIT
8	909 5579 000	1	TUBO MOTORE ASPIRAZIONE	VACUUM MOTOR HOSE	SAUGSCHLAUCH	FLEXIBLE D'ASPIRATION
11	909 5713 000	1	KIT MOTORE ASPIRAZIONE + CONNETTORE	KIT VACUUM MOTOR W/ CONNECTOR	SAUGMOTOR MIT STECKER	MOTEUR ASPIRATION AVEC PRISE
12	909 5371 000	2	CARBONCINO	CARBON BRUSH	KOHLENBUERSTE	CHARBON
13	145 0543 000	1	FASCETTA	CLAMP	SHELLE	COLLIER
0	909 5987 000	1	KIT VITERIA (1,2,3)	VACUUM SYSTEMS HARDWARE KIT	SCHRAUBEN SATZ	KIT VIS



2004-08	SERBATOIO ACQUA SPORCA / RECOVERY TANK	BOOK E		
2007-09	BA 410 - Before Serial Number 054418642	E	7.9.1	7

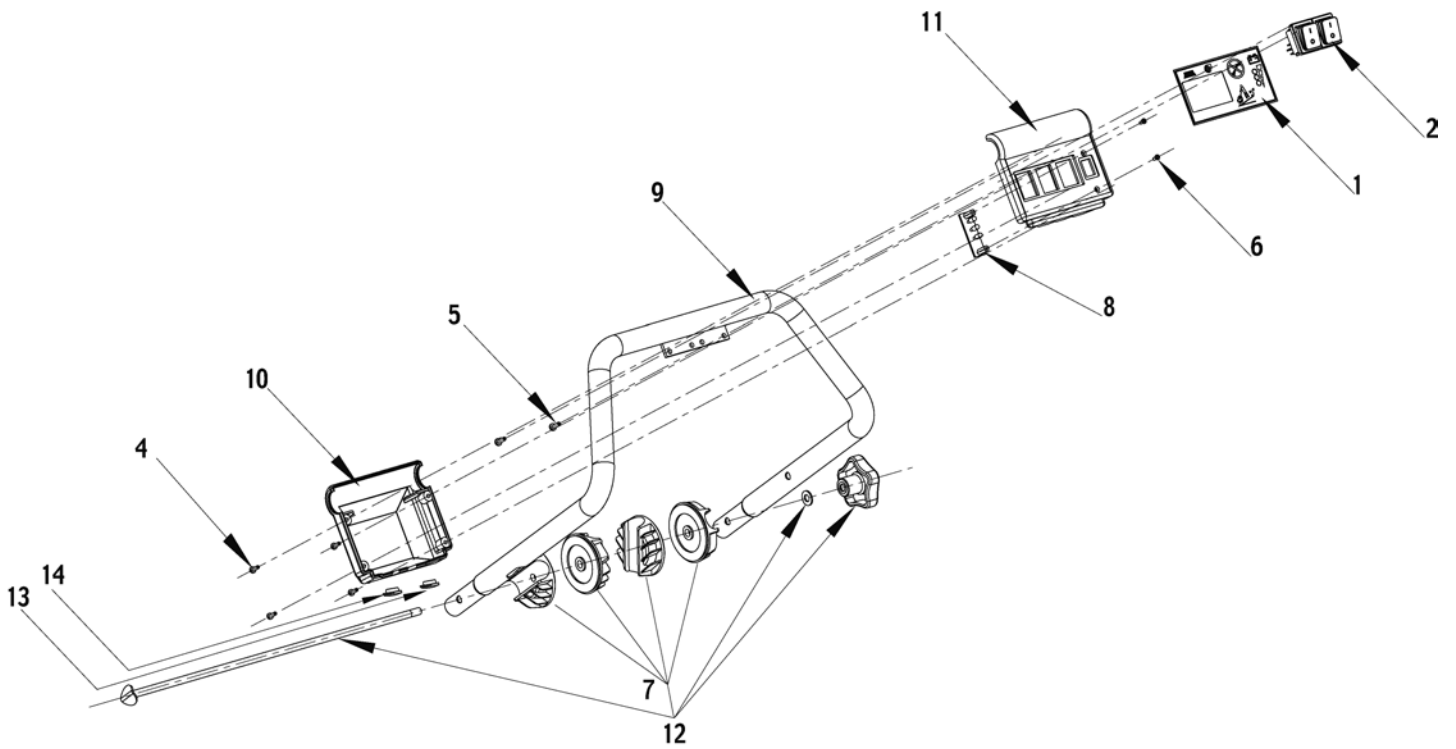
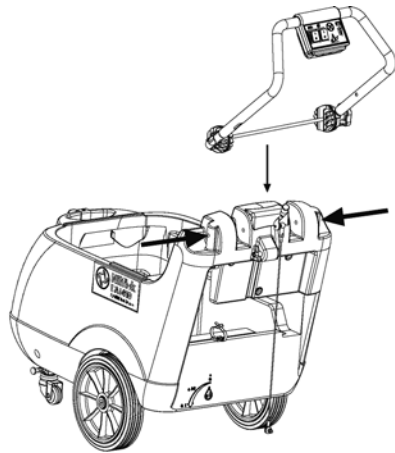
Pos Item Bild Rép	Codice Ref. No. Art. Nr. Réf. No	Q.tà Qty Menge Qté	Descrizione	Description	Beschreibung	Désignation
1	909 5716 000	1	GUARNIZIONE 1250 MM	GASKET	DICHTUNG	JOINT
2	xxxxxxxxxx	6	RONDELLA PIANA 6X18 INOX	WASHER FLAT 6X18 SS	BEILAGSCHEIBE	RONDELLE
3#	L08812259	2	CONTENITORE GALLEGGIANTE	FLOAT CAGE	SCHWIMMER KPL.	SISTEME DE FLOTTEUR
4#	L08812373	1	GALLEGGIANTE	FLOATING BALL	BALL	FLOTTEUR
5#	L08812869	1	TUBO SCARICO ACQUA	DRAIN HOSE	ABWASSERSCHLAUCH	TUYAU DE VIDAGE
6#	L08812926	1	PORTA GALLEGGIANTE	SUPPORT, FLAT CAGE	SCHWIMMER HALTER	SUPPORT FLOTTEUR
7#	L08812968	1	GUARNIZIONE ADESIVA	GASKET	GASKET	JOINT
8	xxxxxxxxxx	2	VITE TE M6X35 INOX	SCREW HEX HD M6X35 SS	SCHRAUBE	VIS
9	xxxxxxxxxx	2	FASCETTA	CLAMP	SHELLE	COLLIER
10	xxxxxxxxxx	2	DADO CIECO M6 INOX	BLIND NUT M6 SS	MUTTER	ECROU
11	xxxxxxxxxx	2	DADO E. M6 INOX	NUT HEX M6 SS	MUTTER	ECROU
12A	909 6061 000	1	SERBATOIO ACQUA SPORCA	RECOVERY TANK	SCHMUZWASSERTANK	RESERVOIR
13	909 5553 000	1	COPERCHIO SERBATOIO	TANK COVER	TANKDECKEL	COUVERCLE RESERVOIR
14	909 5578 000	1	TUBO ASPIRAZIONE	SUCTION HOSE	SAUGSCHLAUCH	TUYAU D'ASPIRATION
0	909 5988 000	1	KIT VITERIA (2,8,9,10,11)	RECOVERY TANK HARDWARE KIT (2,8,9,10,11)	SCHRAUBEN SATZ (2,8,9,10,11)	KIT VIS (2,8,9,10,11)

A: SEE TSB IT 2006-001

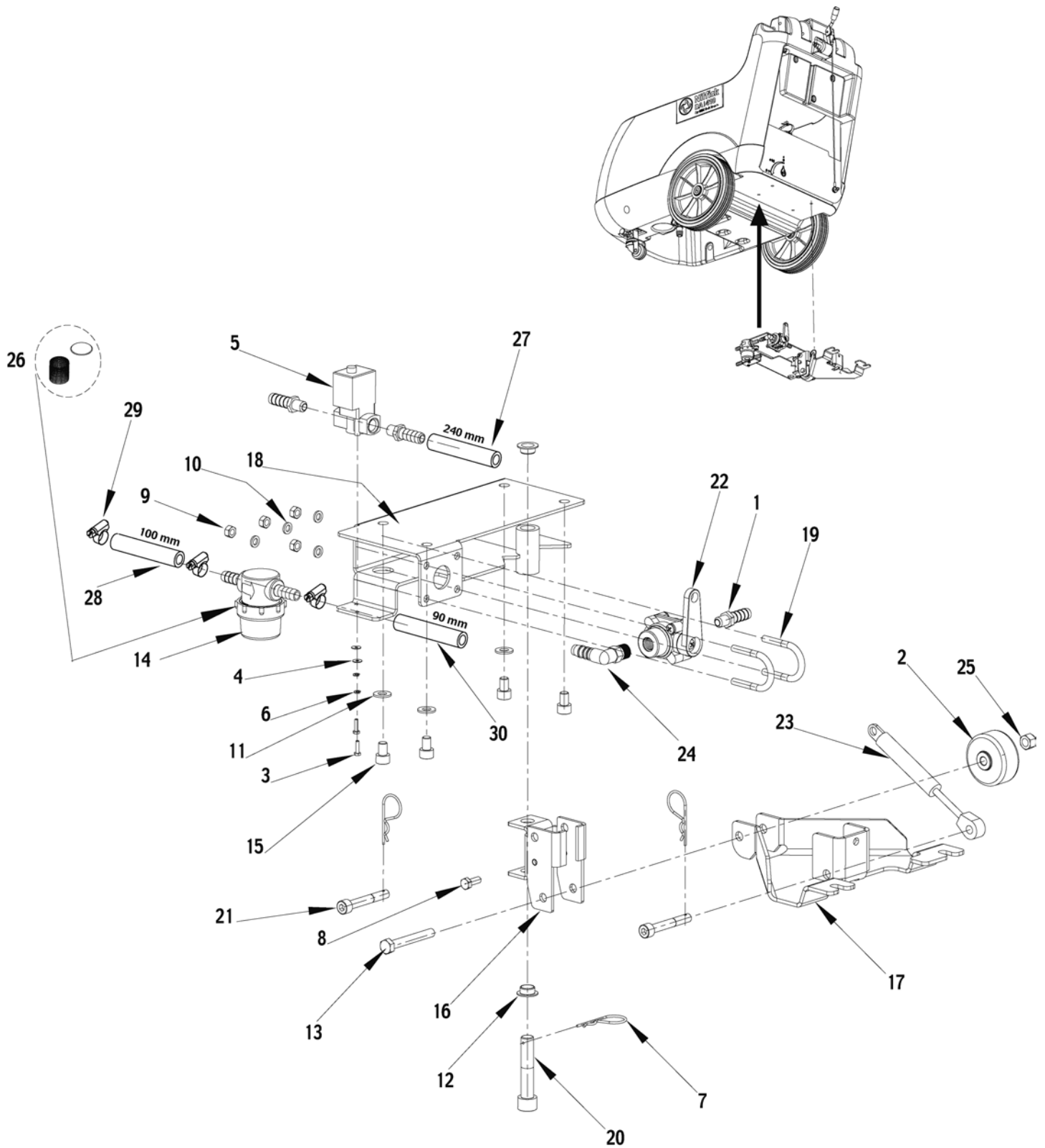


2004-08	SERBATOIO ACQUA SPORCA / RECOVERY TANK	BOOK E		
2007-09	BA 410 - Starting from Serial Number 054418642	E	7.9.1	9

Pos Item Bild Rép	Codice Ref. No. Art. Nr. Réf. No	Q.tà Qty Menge Qté	Descrizione	Description	Beschreibung	Désignation
1	909 5716 000	1	GUARNIZIONE 1250 MM	GASKET	DICHTUNG	JOINT
2	xxxxxxxxxx	6	RONDELLA PIANA 6X18 INOX	WASHER FLAT 6X18 SS	BEILAGSCHEIBE	RONDELLE
3#	L08812259	2	CONTENITORE GALLEGGIANTE	FLOAT CAGE	SCHWIMMER KPL.	SISTEME DE FLOTTEUR
4#	L08812373	1	GALLEGGIANTE	FLOATING BALL	BALL	FLOTTEUR
5#	L08812869	1	TUBO SCARICO ACQUA	DRAIN HOSE		TUYAU DE VIDAGE
6#	L08812926	1	PORTA GALLEGGIANTE	SUPPORT, FLAT CAGE	SCHWIMMER HALTER	SUPPORT FLOTTEUR
7#	L08812968	1	GUARNIZIONE ADESIVA	GASKET	GASKET	JOINT
8	xxxxxxxxxx	2	VITE TE M6X35 INOX	SCREW HEX HD M6X35 SS	SCHRAUBE	VIS
9	xxxxxxxxxx	2	FASCETTA	CLAMP	SHELLE	COLLIER
10	xxxxxxxxxx	2	DADO CIECO M6 INOX	BLIND NUT M6 SS	MUTTER	ECROU
11	xxxxxxxxxx	2	DADO E. M6 INOX	NUT HEX M6 SS	MUTTER	ECROU
12	909 6058 000	1	SERBATOIO ACQUA SPORCA	RECOVERY TANK	SCHMUTZWASSER TANK	RESERVOIR
13	909 5553 000	1	COPERCHIO SERBATOIO	TANK COVER	TANKDECKEL	COUVERCLE RESERVOIR
14	909 6060 000	1	TUBO ASPIRAZIONE	SUCTION HOSE	SAUGSCHLAUCH	TUYAU D'ASPIRATION
15	909 6061 000	1	KIT SERBATOIO ACQUA SPORCA CON TUBO ASPIRAZIONE (12,14)	KIT RECOVERY TANK + SUCTION HOSE (12,14)	SCHMUTZWASSER TANK MIT SAUG- SCHLAUCH (12,14)	KIT RESERVOIR AVEC TUYAU D'ASPIRATION (12,14)
0	909 5988 000	1	KIT VITERIA (2,8,9,10,11)	RECOVERY TANK HARDWARE KIT (2,8,9,10,11)	SCHRAUBEN SATZ (2,8,9,10,11)	KIT VIS (2,8,9,10,11)



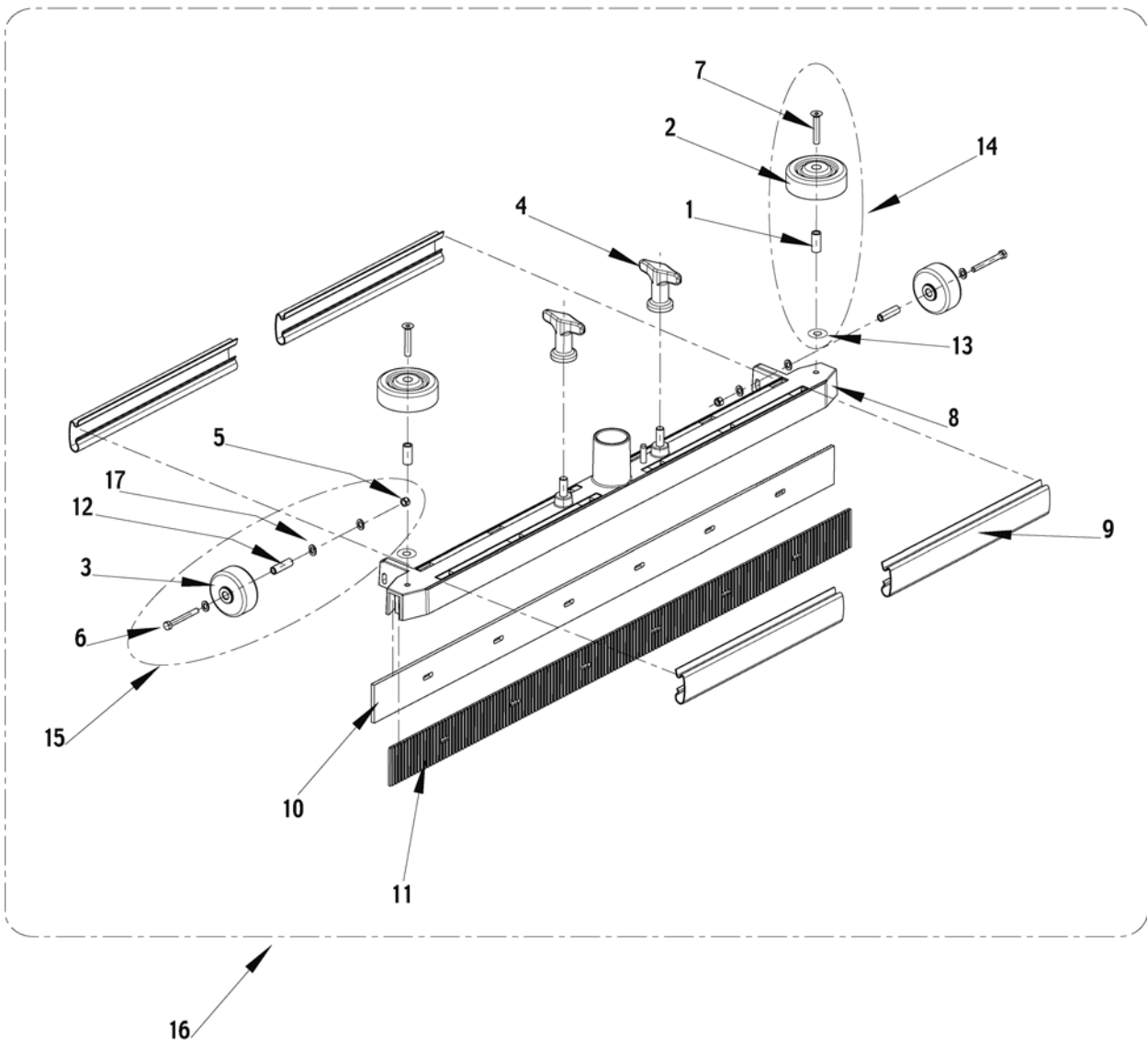
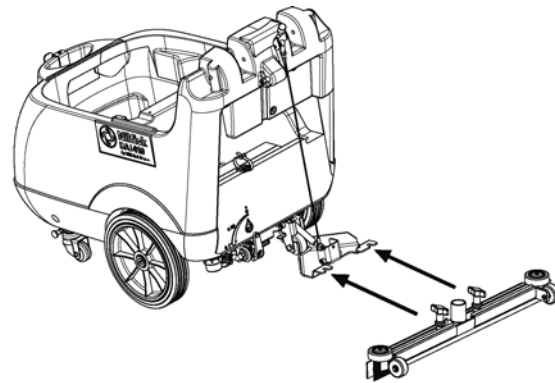
Pos Item Bild Rép	Codice Ref. No. Art. Nr. Réf. No	Q.tà Qty Menge Qté	Descrizione	Description	Beschreibung	Désignation
1	909 5587 000	1	SERIGRAFIA PLANCIA	DECAL CONTROL PANEL	SCHALTPLATTE FOLIE	SERIGRAPHIE
2	909 5584 000	2	INTERRUTTORE	SWITCH	SCHALTER	INTERRUPTEUR
4	xxxxxxxxxx	4	VITE TCTC 3,6X16 AUTOFIL.	SCREW CYL HD 3,6X16 THD F.	SCHRAUBE	VIS
5	xxxxxxxxxx	2	VITE TCTC 3,9X13 AUTOFIL.	SCREW CYL HD 3,9X13 THD F.	SCHRAUBE	VIS
6	xxxxxxxxxx	2	VITE TSPTC M3X8	SCREW M3X8	SCHRAUBE	VIS
7	909 5099 000	1	KIT REGOLATORE MANIGLIONE	HANDLE ADJUSTER KIT	ZUSATZ FUEHRUNGSBUG. REGLER	KIT REGULATEUR MANCHE COND.
8#	L08812909	1	SCHEDA LED	ELECTRONIC CARD	ELEKTRONISCHE KARTE	CARTE ELECTRONIQUE
9	909 5563 000	1	MANIGLIONE COMANDO	HANDLE BAR	FUEHRUNGSBUEGEL	MANCHE DE CONDUITE
10	909 5847 000	1	COPERCHIO PLANCIA INFERIORE	SWITCH HOUSING LOWER	SCHALTERGEHAUSE HINTEN	BOITE INTERRUPTEUR ARRIER
11	909 5846 000	1	COPERCHIO PLANCIA SUPERIORE	SWITCH HOUSING UPPER	SCHALTERGEHAUSE VORNE	BOITE INTERRUPTEUR AVANT
12	909 5701 000	1	KIT REGOLAZIONE MANIGLIONE	HANDLE ADJUSTING KIT	ZUSATZ FUEHRUNGSBUG. REGLUNG	KIT REGLAGE MANCHE CONDUITE
13	145 4260 000	1	TAPPO A SCATTO NERO Ø 14,7	BLACK CAP Ø 14,7	PFROPFEN Ø 14,7	BOUCHON Ø 14,7
14	145 4259 000	1	TAPPO A SCATTO NERO Ø 11,9	BALCK CAP Ø 11,9	PFROPFEN Ø 11,9	BOUCHON Ø 11,9
0	909 5995 000	1	KIT VITERIA (4,5,6)	HANDLE ASSEMBLY HARDWARE KIT (4,5,6)	SCHRAUBEN SATZ (4,5,6)	KIT VIS (4,5,6)



2004-08	GRUPPO ELETTROVALVOLA / SOLUTION SYSTEM	BOOK E		
2007-09	BA 410	E	7.9.1	13

Pos Item Bild Rép	Codice Ref. No. Art. Nr. Réf. No	Q.tà Qty Menge Qté	Descrizione	Description	Beschreibung	Désignation
1#	L08601624	3	PORTAGOMMA 1/4	RUBBER HOLDER	SCHLAUCH HALTER	RACCORD
2#	L08603665	1	RUOTA	WHEEL	RAD	ROUE
3	xxxxxxxxxx	2	VITE TE M3X12 INOX	SCREW HEX HD M3X12 SS	SCHRAUBE	VIS
4	xxxxxxxxxx	2	RONDELLA PIANA 3X9 INOX	WASHER FLAT 3X9 SS	BEILAGSCHEIBE	RONDELLE
5#	L08812960	1	ELETTROVALVOLA 24V	SOLENOID VALVE 24V	ELEKTROVENTIL	ELECTROVANNE
6	xxxxxxxxxx	2	RONDELLA E.SPAC. 3 INOX	WASHER SPLIT 3 SS	BEILAGSCHEIBE	RONDELLE
7	xxxxxxxxxx	3	COPIGLIA	SPLIT PIN	SPLINT	GOUPILLE
8	xxxxxxxxxx	1	VITE TE M6X16 INOX	SCREW HEX HD M6X16 SS	SCHRAUBE	VIS
9	xxxxxxxxxx	4	DADO E.M6 INOX	NUT HEX M6 SS	MUTTER	ECROU
10	xxxxxxxxxx	4	RONDELLA PIANA 6X12,5 INOX	WASHER FLAT 6X12,5 SS	BEILAGSCHEIBE	RONDELLE
11	xxxxxxxxxx	3	RONDELLA PIANA 8X17 INOX	WASHER FLAT 8X17 SS	BEILAGSCHEIBE	RONDELLE
12	146 0549 000	2	BOCCOLA CON FLANGIA	BUSHING	BUCHSE	COUPILLE
13	xxxxxxxxxx	1	VITE TE M8X55 INOX	SCREW HEX HD M8X55 SS	SCHRAUBE	VIS
14B	9097166000	1	KIT FILTRO COMPLETO	KIT WATER FILTER COMPLETE	ZUSATZ WASSERFILTER	KIT FILTER EAU
15	xxxxxxxxxx	4	VITE TCEI M8X12	SCREW M8X12	SCHRAUBE	VIS
16A	909 5566 000	1	STAFFA SUPPORTO TERGITORE	BRACKET	STANGE	SUPPORT
17B	909 5567 000	1	SUPPORTO TERGITORE	SUPPORT	HALTER	SUPPORT
18	909 5571 000	1	PIASTRA TERGITORE ELETTROVALVOLA	PLATE	PLATTE	PLAQUE
19	xxxxxxxxxx	2	FASCETTA	CLAMP	KLEMME	COLLIER
20	xxxxxxxxxx	1	VITE TCEI M12X60 INOX	SCREW M12X60 SS	SCHRAUBE	VIS
21	xxxxxxxxxx	2	VITE TCEI M8X55 INOX	SCREW M8X55 SS	SCHRAUBE	VIS
22	909 5632 000	1	RUBINETTO	VALVE	HAHN	ROBINET
23	909 5637 000	1	MOLLA A GAS	SPRING	FEDER	RESSORT
24	909 5651 000	1	PORTAGOMMA A 90°	RUBBER HOLDER	SCHLAUCH HALTER	RACCORD
25	xxxxxxxxxx	1	DADO E.BASSO AUTOB. M8 INOX	NUT HEX LOW SELF LOCK M8 SS	MUTTER	ECROU
26B#	L08603893	1	KIT RETE FILTRO	KIT FILTER NET WITH GASKET	ZUSATZ WASSERFILT. M DICHTUNG	KIT FILTER AVEC JOINT
27	909 5140 000	1	TUBO SPIRALATO Ø10 240MM	HOSE Ø10 240 MM	SCHALUCH	TUYAU
28	909 5026 000	1	TUBO SPIRALATO Ø10 100MM	HOSE Ø10 100 MM	SCHLAUCH	TUYAU
29	145 8582 000	3	FASCETTA 8/ 9-16	CLAMP 8/ 9-16	SHELLE	COLLIER
30	145 4154 000	1	TUBO SPIRALATO Ø10 90MM	HOSE Ø10 90 MM	SCHLAUCH	TUYAU
0#	L08603885	1	CONNETTORE ELETTROVALVOLA	CONNECTOR FOR SOLENOID VALVE	STECKER	PRISE
0	909 5977 000	1	KIT ELETTROVALVOLA (1,5, 14,22,24,27,28,29,30)	SOLENOID VALVE KIT (1,5, 14,22,24,27,28,29,30)	ELEKTROVENTIL SATZ (1,5, 14,22,24,27,28,29,30)	KIT ELECTROVANNE (1,5, 14,22,24,27,28,29,30)
0	909 5990 000	1	KIT VITERIA (3,4,6,7,8,9,10,11,13,15,19,20,21,25)	SOLUTION SYSTEMS HARDWARE KIT (3,4,6,7,8,9,10,11,13,15,19,20,21,25)	SCHRAUBEN SATZ (3,4,6,7,8,9,10,11,13,15,19,20,21,25)	KIT VIS (3,4,6,7,8,9,10,11,13,15,19,20,21,25)

A: SEE TSB IT 2007-015
B: SEE TSB IT 2007-021

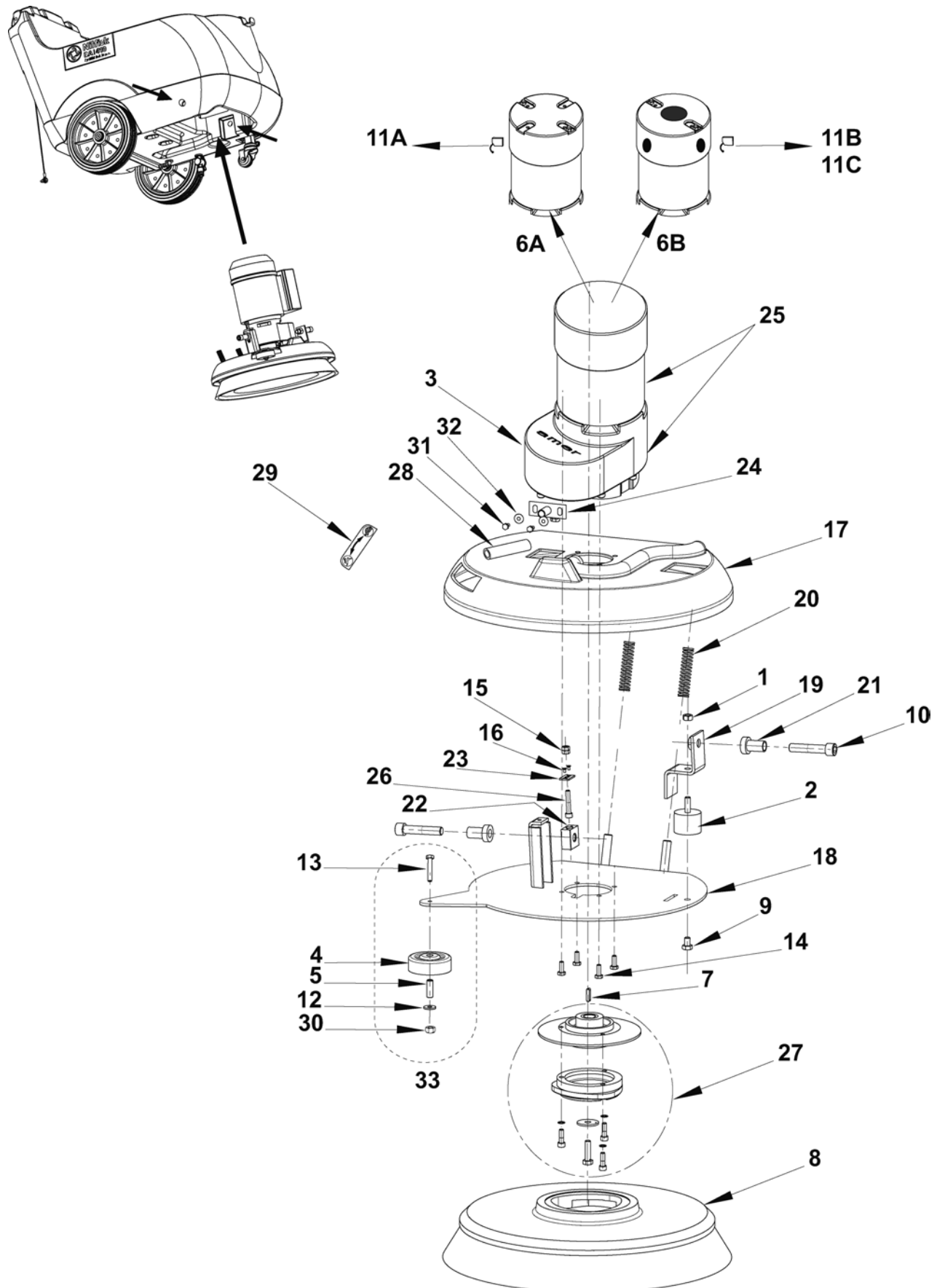


2004-08	GRUPPO TERGITORE / SQUEEGEE ASSEMBLY	BOOK E		
2007-09	BA 410	E	7.9.1	15

Pos Item Bild Rép	Codice Ref. No. Art. Nr. Réf. No	Q.tà Qty Menge Qté	Descrizione	Description	Beschreibung	Désignation
1	xxxxxxxxxx	2	DISTANZIALE	SPACER	ABSTANDSTUECK	ENTRETOISE
2	xxxxxxxxxx	2	RUOTA PARACOLPI	BUMPER ROLLER	ABWEISROLLE	DEFLECTEUR
3#	L08603665	2	RUOTA TERGITORE	SQUEEGEE WHEEL	RAD	ROUE
4	xxxxxxxxxx	2	VOLANTINO DI FISSAGGIO	NUT THUMB	HANDRAD	MOLETTE
5	xxxxxxxxxx	2	DADO E.BASSO AUTOB. M5 INOX	NUT HEX LOW SELFLOCK M5 SS	MUTTER	ECROU
6	xxxxxxxxxx	2	VITE TE M5X45 INOX	SCREW HEX HD M5X45 SS	SCHRAUBE	VIS
7	xxxxxxxxxx	2	VITE TSPEI M6X35	SCREW M6X35	SCHRAUBE	VIS
8	909 5554 000	1	CORPO TERGITORE	SQUEEGEE WELDMENT	SAUGDUESEN KOERPER	EMBOUCHURE COMPLETE
9	909 5555 000	4	MOLLA RITEGNO	SPRING	FEDER	RESSORT
10	909 5568 000	1	GOMMA TERGITORE POST.	BLADE REAR	SAUGLIPPE HINTEN	CAOTCHOUC EMBOUCHURE AVANT
11	909 5569 000	1	GOMMA TERGITORE ANT.	BLADE FRONT	SAUGLIPPE VORNE	CAOTCHOUC EMBOUCHURE ARRIERE
12	xxxxxxxxxx	2	DISTANZIALE	SPACER	ABSTANDSTUECK	ENTRETOISE
13#	L08603689	2	RONDELLA PIANA 6X18 INOX	WASHER FLAT 6X18 SS	BEILAGSCHEIBE	RONDELLE
14#	L08603880	1	KIT RUOTA PARACOLPI TERGITORE	KIT SQUEEGEE BUMP. ROLLER	ZUSATZ ABWEISROLLE	KIT DEFLECTEUR
15	909 5703 000	1	KIT RUOTA TERGITORE	KIT SQUEEGEE WHEEL	ZUSATZ SAUGDUESENRAD	KIT ROUE EMBOUCHURE
16	909 5702 000	1	KIT TERGITORE COMPLETO (1,2,3,4,5,6,7,8,9,10, 11,12,13)	KIT SQUEEGEE COMPLETE (1,2,3,4,5,6,7,8,9,10, 11,12,13)	SAUGDUESEN KPL SATZ (1,2,3,4,5,6,7,8,9,10, 11,12,13)	KIT EMBOUCHURE COMPLETE (1,2,3,4,5,6,7, 8,9,10,11,12,13)
17	xxxxxxxxxx	6	RONDELLA PIANA 5X15 INOX	WASHER FLAT 5X15 SS	BEILAGSCHEIBE	RONDELLE
0*	909 5916 000	1	KIT TERGITORE CURVO	SQUEEGEE CURVED KIT	GEBOGEN SAUGFUSSSATZ	KIT EMBOUCHURE COURBE
0	909 5917 000	1	ISTRUZIONI DI MONTAGGIO KIT TERGITORE CURVO	INSTALLATION INSTRUCTIONS FOR CURVED SQUEEGEE KIT	MONTAGE ANGABEN F GEBOGEN SAUGFUSSSATZ	INSTRUCTION P MONTAGE KIT EMBOUCHURE COURBE
0	909 5991 000	1	KIT VITERIA (1,2,4,5,6,7,12,17)	SQUEEGEE ASSEMBLY HARDWARE KIT (1,2,4,5,6,7,12,17)	SCHRAUBEN SATZ (1,2,4,5,6,7,12,17)	KIT VIS (1,2,4,5,6,7,12,17)

2004-08	GRUPPO SPAZZOLA / BRUSH SYSTEM	BOOK E		
2007-09	BA 410 - Before Serial Number 054920336	E	7.9.1	17

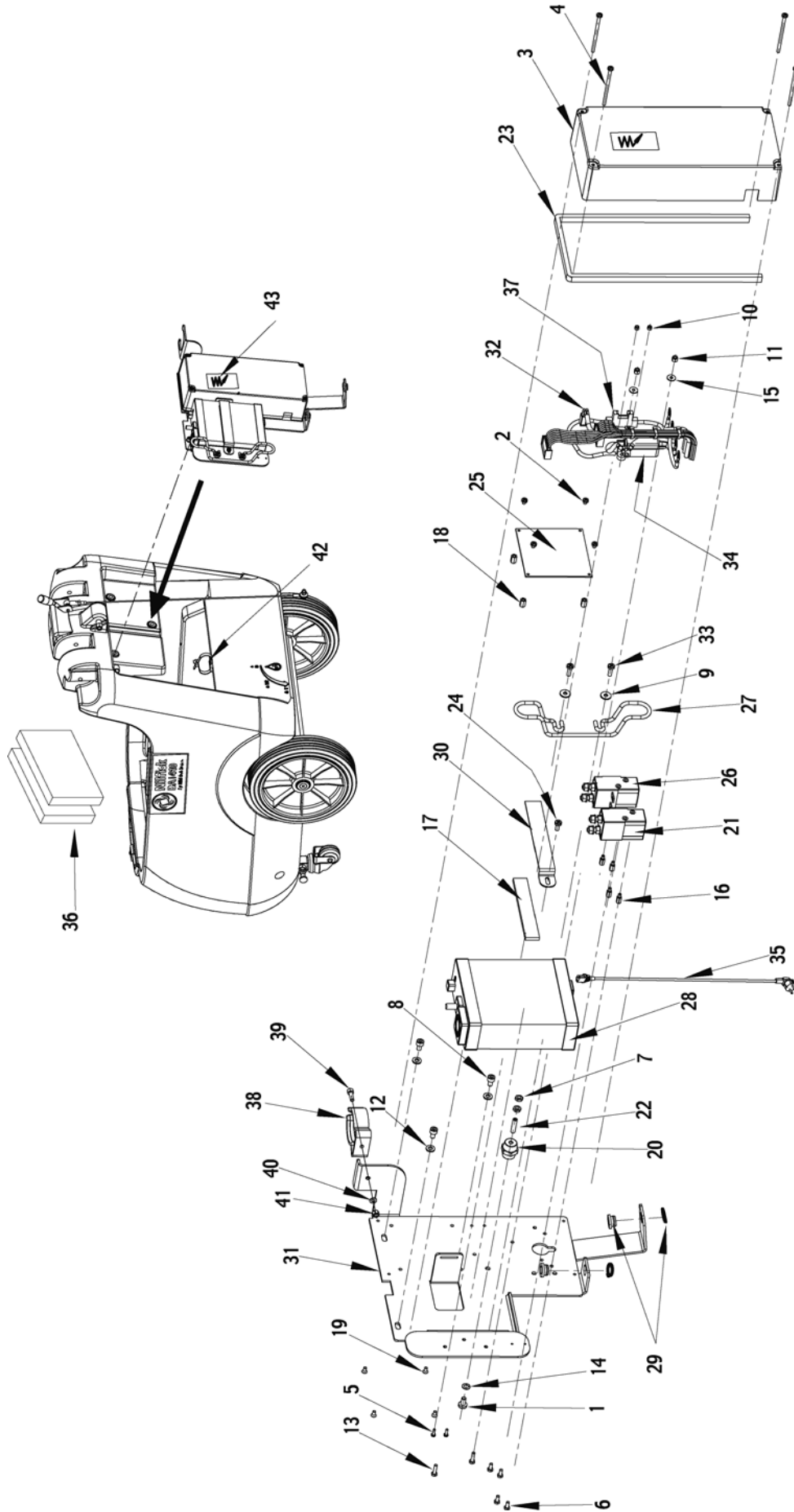
Pos Item Bild Rép	Codice Ref. No. Art. Nr. Réf. No	Q.tà Qty Menge Qté	Descrizione	Description	Beschreibung	Désignation
1	xxxxxxxxxx	1	DADO ES. M8	NUT	MUTTER	ECROU
2	9097184000	1	ANTIVIBRANTE CILINDRICO M8	VIBRATION DAMPING	SCHWINGUNGS- DAEMPFER	TAMPON
3#	L08603849	1	RIDUTTORE	REDUCTION GEAR	GETRIEBE	REDUCTEUR
4#	L08602460	1	RUOTA PARACOLPI	BUMPER ROLLER	ABWEISROLLE	DEFLECTUER
5	909 5710 000	1	DISTANZIALE	SPACER	ABSTANDSTUECK	ENTRETOISE
6	909 5508 000	1	MOTORE ELETTRICO	ELECTRIC MOTOR	ELEKTRISCHE MOTOR	MOTEUR ELECTRIQUE
7	xxxxxxxxxx	1	CHIAVETTA 5X5X20	TAB	PASSFEDER	GOUPILLE
8#	L08812891	1	SPAZZOLA Ø430 PROLENE PPL STD	BRUSH Ø430 PROLENE PPL	BUERSTE	BROSSE
8*	909 5691 000	1	SPAZZOLA Ø430 MIDLITE GRIT180	BRUSH Ø430 MIDLITE GRIT180	BUERSTE	BROSSE
8*	909 5692 000	1	SPAZZOLA Ø430 MIDRIT 240	BRUSH Ø430 MIDRIT 240	BUERSTE	BROSSE
8*	909 5693 000	1	SPAZZOLA Ø430 PROLITE	BRUSH Ø430 PROLITE	BUERSTE	BROSSE
8*	909 5694 000	1	SPAZZOLA Ø430 UNION MIX	BRUSH Ø430 UNION MIX	BUERSTE	BROSSE
9	xxxxxxxxxx	1	VITE TE M8X12	SCREW HEX HD	SCHRAUBE	VIS
10	146 2826 000	2	VITE TCEI M12X55	SCREW M12X55	SCHRAUBE	VIS
11	909 5720 000	1	KIT SPAZZOLE CON CALOTTA	CARBON BRUSH W/ COVER KIT	KOHLLENBUERSTE MIT DECKEL SATZ	KIT CHARBONS AVEC CALOTTE
12#	L08228600	2	RONDELLA PIANA 6X18	WASHER FLAT 6X18	BEILAGSCHEIBE	RONDELLE
13	33003978	1	VITE M6X40	SCREW M6X40	SCHRAUBE	VIS
14	xxxxxxxxxx	4	VITE TE M6X16 INOX	SCREW HEX HD	SCHRAUBE	VIS
15	xxxxxxxxxx	2	DADO E. M6 INOX	NUT HEX M6 SS	MUTTER	ECROU
16	xxxxxxxxxx	2	VITE TSPTC M3X6	SCREW M3X6	SCHRAUBE	VIS
17	909 5550 000	1	PROTEZIONE SPAZ.	BRUSH PROTECTION	BUERSTENSCHUTZ	PROTECTION
18	909 5556 000	1	PIASTRA SUPPORTO SPAZZOLA	PLATE BRUSH SUPPORT	PLATTE	PLAQUE
19	909 5557 000	1	STAFFA TESTATA SPAZZOLA	BRACKET	STANGE	BRIDE
20	909 5558 000	2	MOLLA TESTATA SPAZZOLA	SPRING	FEDER	RESSORT
21	909 5559 000	2	BOCCOLA CON FLANGIA	BUSHING	BUECHSE	COQUILLE
22	909 5585 000	1	BLOCCHETTO REGOLAZIONE TESTATA	BRUSH DECK ADJUSTER BLOCK	BUERSTENREGLER	BROSSE REGULATEUR
23	909 5586 000	1	PIASTRINA REG. TESTATA	PLATE	PLATTE	PLAQUE
24	909 5594 000	1	TUBO IN RAME PER ACQUA	HOSE COPPER	SCHLAUCH	TUYAU
25	909 5638 000	1	MOTORIDUTTORE 520W 24V	REDUCTIONGEAR MOTOR 520W	VERMINDERUNGS- GETRIEBE	MOTOREDUCTEUR
26	xxxxxxxxxx	1	VITE TCEI M6X25	SCREW M6X25	SCHRAUBE	VIS
27#	L08812589	1	KIT SUPPORTO POLIGONALE	POLYG.HOLDER W.FLANGE KIT	ZUSATZ POLYGONAUFNAHME	KIT SUPPORT POLYGONAL
28	909 5622 000	1	TUBO Ø10 640 MM	HOSE Ø10 640 MM	SCHLAUCH	TUYAU
29	909 5779 000	1	ADESIVO REG. SPAZZOLA	DECAL BRUSH ADJUSTING	KLEBSTREIFEN	ADHESIF
0	909 5992 000	1	KIT VITERIA (1,7,9,14,15,16,26)	BRUSH SYSTEM HARDWARE KIT (1,7,9,14,15,16,26)	SCHRAUBEN SATZ (1,7,9,14,15,16,26)	KIT VIS (1,7,9,14,15,16,26)



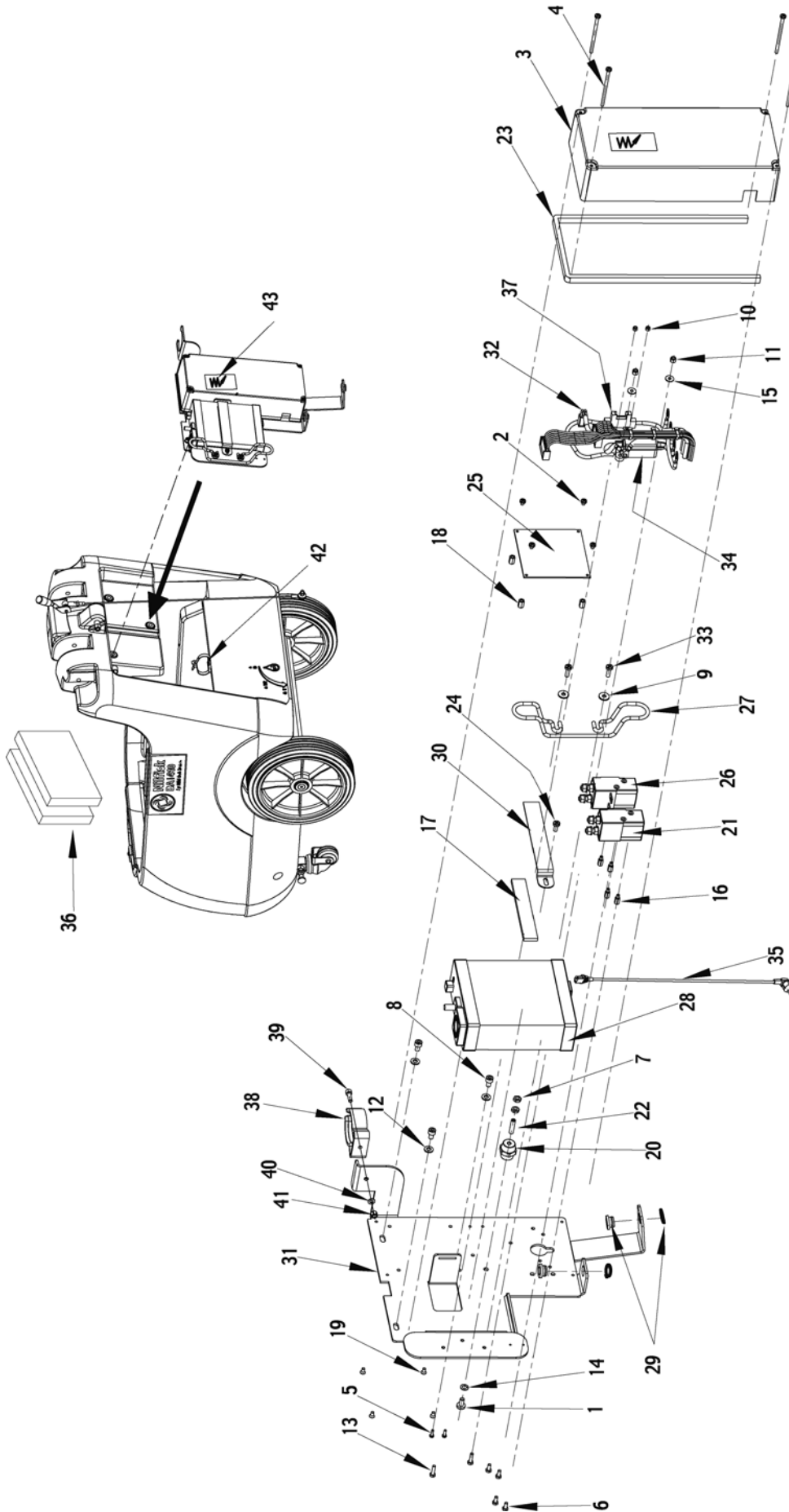
2004-08	GRUPPO SPAZZOLA / BRUSH SYSTEM	BOOK E		
2007-09	BA 410 - From Serial Number 054920336	E	7.9.1	19

Pos Item Bild Rép	Codice Ref. No. Art. Nr. Réf. No	Q.tà Qty Menge Qté	Descrizione	Description	Beschreibung	Désignation
1	xxxxxxxxxx	1	DADO ES. M8	NUT	MUTTER	ECROU
2D	9097184000	1	ANTIVIBRANTE CILINDRICO M8	VIBRATION DAMPING	SCHWINGUNGS DAEMPFER	TAMPON
3#	L08603849	1	RIDUTTORE	REDUCTION GEAR	GETRIEBE	REDUCTEUR
4	xxxxxxxxxx	1	RUOTA PARACOLPI	BUMPER ROLLER	ABWEISROLLE	DEFLECTUER
5	xxxxxxxxxx	1	DISTANZIALE	SPACER	ABSTANDSTUECK	ENTRETOISE
6A	909 5508 000	1	MOTORE ELETTRICO	ELECTRIC MOTOR	ELEKTRISCHE MOTOR	MOTEUR ELECTRIQUE
6B	9097114000	1	MOTORE ELETTRICO	ELECTRIC MOTOR	ELEKTRISCHE MOTOR	MOTEUR ELECTRIQUE
7	xxxxxxxxxx	1	CHIAVETTA 5X5X20	TAB	PASSFEDER	GOUPILLE
8#	L08812891	1	SPAZ.Ø430 PROLENE PPL	BRUSH Ø430 PROLENE PPL	BUERSTE	BROSSE
8*	909 5691 000	1	SPAZ.Ø430 MIDLITE GRIT180	BRUSH Ø430 MIDLITE GRIT180	BUERSTE	BROSSE
8*	909 5692 000	1	SPAZ.Ø430 MIDRIT 240	BRUSH Ø430 MIDRIT 240	BUERSTE	BROSSE
8*	909 5693 000	1	SPAZ. Ø430 PROLITE	BRUSH Ø430 PROLITE	BUERSTE	BROSSE
8*	909 5694 000	1	SPAZ.Ø430 UNION MIX	BRUSH Ø430 UNION MIX	BUERSTE	BROSSE
9D	xxxxxxxxxx	1	VITE TE M8X12 INOX	SCREW HEX HD M8X12 SS	SCHRAUBE	VIS
10	146 2826 000	2	VITE TCEI M12X55	SCREW M12X55	SCHRAUBE	VIS
11A	909 5720 000	1	KIT SPAZZOLE CON CALOTTA	CARBON BRUSH W/ COVER KIT	KOHLNBUERSTE MIT DECKEL SATZ	KIT CHARBONS AVEC CALOTTE
11B	146 3143 000	1	KIT SPAZZOLE CON CALOTTA	CARBON BRUSH W/ COVER KIT	KOHLNBUERSTE MIT DECKEL SATZ	KIT CHARBONS AVEC CALOTTE
11C	909 6893 000	1	KIT SPAZZOLE	CARBON BRUSH KIT	KOHLNBUERSTE SATZ	KIT CHARBONS
12	xxxxxxxxxx	2	RONDELLA PIANA 6X18	WASHER FLAT 6X18	BEILAGSCHEIBE	RONDELLE
13	xxxxxxxxxx	1	VITE M6X40	SCREW M6X40	SCHRAUBE	VIS
14	xxxxxxxxxx	4	VITE TE M6X16 INOX	SCREW HEX HD	SCHRAUBE	VIS
15	xxxxxxxxxx	2	DADO E. M6 INOX	NUT HEX M6 SS	MUTTER	ECROU
16	xxxxxxxxxx	2	VITE TSPTC M3X6	SCREW M3X6	SCHRAUBE	VIS
17	909 5550 000	1	PROTEZIONE SPAZ.	BRUSH PROTECTION	BUERSTENSCHUTZ	PROTECTION
18	909 6269 000	1	PIASTRA SUP. SPAZ.	PLATE BR. SUPPORT	PLATTE	PLAQUE
19	909 6270 000	1	STAFFA TESTATA SPAZ.	BRACKET	STANGE	BRIDE
20	909 5558 000	2	MOLLA TESTATA SPAZ.	SPRING	FEDER	RESSORT
21	909 5559 000	2	BOCCOLA CON FLANGIA	BUSHING	BUECHSE	COQUILLE
22	909 5585 000	1	BLOCCHETTO REG. TESTATA	BRUSH DECK ADJUSTER BLOCK	BUERSTENREGLER	BROSSE REGULATEUR
23	909 5586 000	1	PIASTRINA REG. TESTATA	PLATE	PLATTE	PLAQUE
24	909 6217 000	1	TUBO IN RAME	HOSE COPPER	SCHLAUCH	TUYAU
25B	9097113000	1	MOTORIDUTTORE 520W 24V	REDUCTIONGEAR MOTOR 520W	VERMINDERUNGS GETRIEBE	MOTOREDUCTEUR
26	xxxxxxxxxx	1	VITE TCEI M6X30	SCREW M6X30 UNI5931	SCHRAUBE	VIS
27#	L08812589	1	KIT SUPPORTO POLIGONALE	POLYG.HOLDER W.FLANGE KIT	ZUSATZ POLYGONAUFNAHME	KIT SUPPORT POLYGONAL
28	909 5622 000	1	TUBO Ø10 640 MM	HOSE Ø10 640 MM	SCHLAUCH	TUYAU
29	xxxxxxxxxx	1	ADESIVO REG.SPAZ. (KIT ADESIVI)	DECAL BRUSH ADJUST.(KIT DECALS)	KLEBSTREIFEN (ZUSATZ KLEBSTREIF.)	ADHESIF (KIT ADHESIF)
30	xxxxxxxxxx	1	DADO E. M6 BASSO AUTOBLOCC.	NUT HEX M6 SELFLOCK. LOW	MUTTER	ECROU
31	xxxxxxxxxx	2	VITE TE M4X8	SCREW HEX HD M4X8	SCHRAUBE	VIS
32	xxxxxxxxxx	2	RONDELLA PIANA 4X12	WASHER FLAT 4X12	BEILAGSCHEIBE	RONDELLE
33	909 5397 000	1	KIT RUOTA PARACOLPI (4,5,12,13,30)	BUMPER ROLLER KIT (4,5,12,13,30)	ZUSATZ ABWEISROLLER (4,5,12,13,30)	KIT DEFLECTEUR (4,5,12,13,30)
0	909 5992 000	1	KIT VITERIA (1,7,9,14,15,16,26,31,32)	BRUSH SYSTEM HARDWARE KIT (1,7,9,14,1 5,16,26,31,32)	SCHRAUBEN SATZ (1,7,9,14,15,16,26,31,32)	KIT VIS (1,7,9,14,15,16,26,31,32)

A-B-C: SEE TSB IT 2007-011
D: SEE TSB IT 2007-018

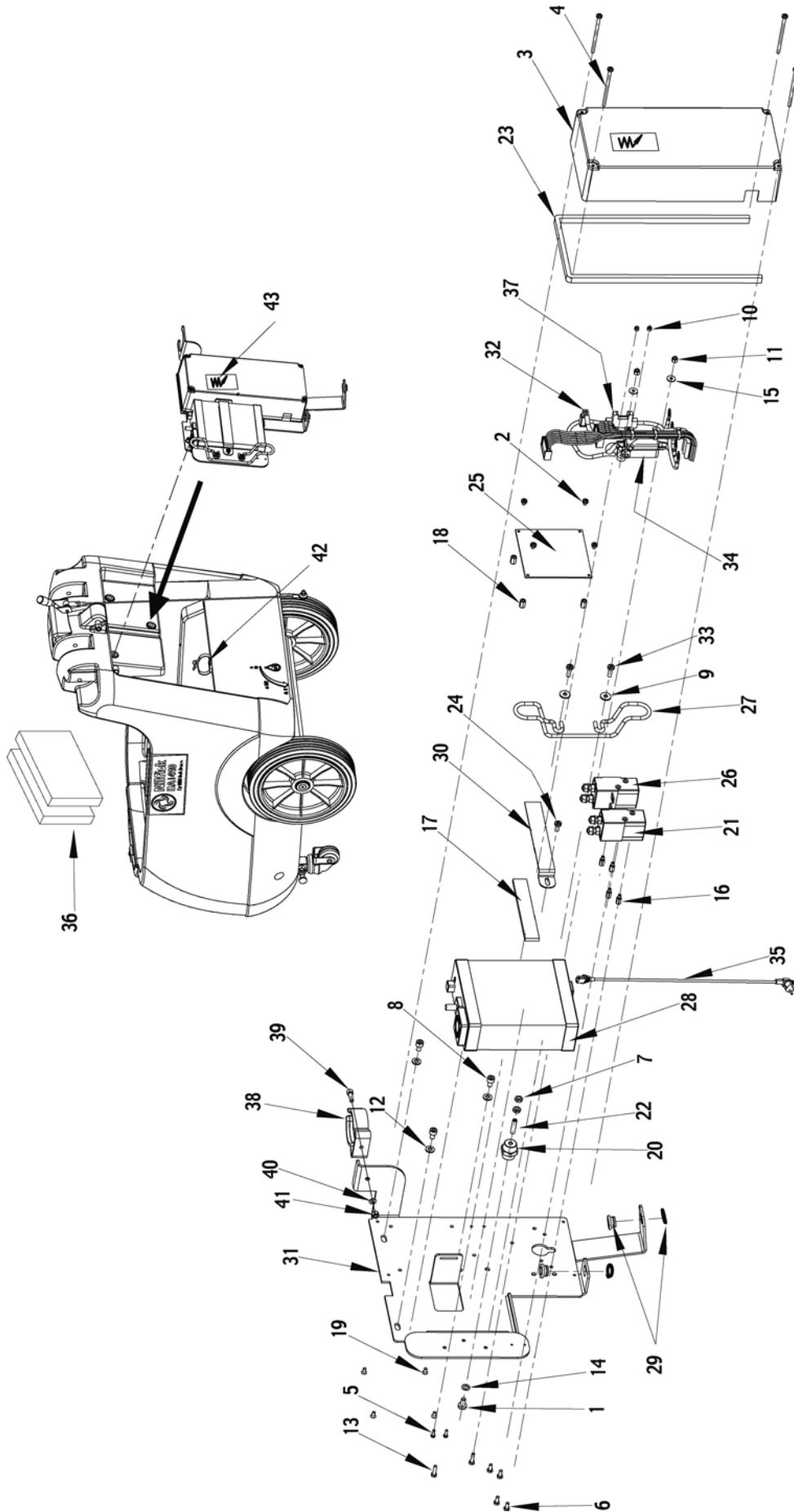


Pos Item Bild Rép	Codice Ref. No. Art. Nr. Réf. No	Q.tà Qty Menge Qté	Descrizione	Description	Beschreibung	Désignation
1	xxxxxxxxxx	1	VITE TCTC M6X12	SCREW CYL HD M6X12	SCHRAUBE	VIS
2	xxxxxxxxxx	6	VITE TCTC M4X6	SCREW CYL HD M4X6	SCHRAUBE	VIS
3#	L08812284	1	COPERCHIO SCHEDA ELET.	COVER ELECT. CARD	DECKEL	COUVERCLE
4	xxxxxxxxxx	4	VITE TCTC M4X70	SCREW CYL HD M4X70	SCHRAUBE	VIS
5	xxxxxxxxxx	2	VITE TE M3X10	SCREW HEX HD M3X10	SCHRAUBE	VIS
6	xxxxxxxxxx	4	VITE TE M4X8	SCREW HEX HD M4X8	SCHRAUBE	VIS
7	xxxxxxxxxx	2	DADO E.BASSO M6	NUT HEX LOW M6	MUTTER	ECROU
8	xxxxxxxxxx	3	VITE TCEI M6X10	SCREW CYL HD M6X10	SCHRAUBE	VIS
9	xxxxxxxxxx	2	RONDELLA PIANA 5X15 INOX	WASHER FLAT 5X15 SS	BEILAGSCHEIBE	RONDELLE
10	xxxxxxxxxx	2	DADO E.AUTOBL.M3	NUT HEX SELFLOCK M3	MUTTER	ECROU
11	xxxxxxxxxx	2	DADO E.AUTOBL.M4	NUT HEX SELFLOCK M4	MUTTER	ECROU
12	xxxxxxxxxx	3	RONDELLA PIANA	WASHER FLAT	BEILAGSCHEIBE	RONDELLE
13	xxxxxxxxxx	2	VITE TE M4X16	SCREW HEX HD M4X16	SCHRAUBE	VIS
14	xxxxxxxxxx	2	RONDELLA E. SPACCATA	WASHER SPLIT	BEILAGSCHEIBE	RONDELLE
15	xxxxxxxxxx	4	RONDELLA PIANA 4X9	WASHER FLAT 4X9	BEILAGSCHEIBE	RONDELLE
16	xxxxxxxxxx	4	DISTANZIALE M4	SPACER M4	ABSTANDSTUECK	ENTRETOISE
17	146 0656 000	1	GUARNIZIONE AD. L=125 MM	GASKET L=125 MM	DICHTUNG	JOINT
18	xxxxxxxxxx	4	DISTANZIALE ESAGONALE	SPACER HEX	ABSTANDSTUECK	ENTRETOISE
19	xxxxxxxxxx	4	VITE TSPTC M4X8	SCREW M4X8	SCHRAUBE	VIS
20	146 0708 000	1	ISOLATORE M6 BIANCO	INSULATOR M6 WHITE	ISOLATOR	ISOLATEUR
21	909 5127 000	1	TELERUTTORE DOPPIO 24V	ELECTROMAGNETIC SWITCH24V	SCHALTER	TELERUPTEUR
22	xxxxxxxxxx	1	GRANO M6X25	DOWEL M6X25	STIFT	GOUPILLE
23	146 2118 000	1	GUARNIZIONE CONT. L=750 MM	GASKET L=750 MM	DICHTUNG	JOINT
24	xxxxxxxxxx	1	VITE TCTC M5X12 INOX SS	SCREW CYL HD M5X12 SS	SCHRAUBE	VIS
25	909 5098 000	1	SCHEDE ELETTRONICA	ELECTRONIC CARD	ELEKRONISCHE KARTE	CARTE ELECTRONIQUE
26	146 0719 000	1	TELERUTTORE 24V	ELECTROMAGNETIC SWITCH 24V	SCHALTER	TELERUPTEUR
27	909 5149 000	1	SUPPORTO CAVO CARICABATT.	SUPPORT BATTERY CHARGER CABLE	HALTER	SUPPORT
28A	909 6428 000	1	KIT CARICABATTERIA	BATTERY CHARGER KIT	ZUSATZ BATTERIE LADEGERAET	KIT CHARGEUR BATTERIES
29	909 6062 000	2	KIT BOCCOLA GUIDA CAVO E SEEGER	KIT BUSH CABLE GIUDE AND RETAINING RING	SATZ BUCHSE MIT SICHERUNGSRING	BAGUE ET CIRCLIPS KIT
30	909 5570 000	1	STAFFA PER CARICABATTERIE	BRACKET	STANGE	SUPPORT
31	909 5788 000	1	PIASTRA FISSAGGIO COMP.EL.	PLATE	PLATTE	PLAQUE
32	909 5596 000	1	CABLAGGIO SCHEDE ELET.	HARNESS ELECTRONIC CARD	ELEK.KARTE KABELVERBIND.	CABLAGE CARTE ELECTRONIQUE
33	xxxxxxxxxx	2	VITE TCTC M5X16	SCREW CYL HD M5X16	SCHRAUBE	VIS
34	145 8046 000	1	PORTAFUSIBILE LAMELLARE	BLADE FUSE HOLDER	SICHERUNGSHALTER	SUPPORT FUSIBLE
35	909 5633 000	1	PROLUNGA CAVO CARICA BATT.	CABLE EXTENTION	KABEL VERLAENGERUNG	CABLE EXTENTION
35	909 5676 000	1	PROLUNGA CAVO CARICA BATT. UK	CABLE EXTENTION UK	KABEL VERLAENGERUNG UK	CABLE EXTENTION UK
35	9096914000	1	PROLUNGA CAVO CARICA BATT. J	CABLE EXTENTION J	KABEL VERLAENGERUNG J	CABLE EXTENTION J
36#	L08812670	2	PANNELLO H=40 MM	RESTRAINT	PANEEL	PANEL
37	146 0660 000	1	PORTAFUSIBILE LAMELLARE	BLADE FUSE HOLDER	SICHERUNGSHALTER	SUPPORT FUSIBLE
38	xxxxxxxxxx	1	FASCETTA FERMATUBO Ø50	CLAMP Ø50	SHELLE	COLLIER
39	xxxxxxxxxx	1	VITE TCEI M5X16	SCREW M5X16	SCHRAUBE	VIS
40	xxxxxxxxxx	1	RONDELLA PIANA 5X10	WASHER FLAT 5X10	BEILAGSCHEIBE	RONDELLE

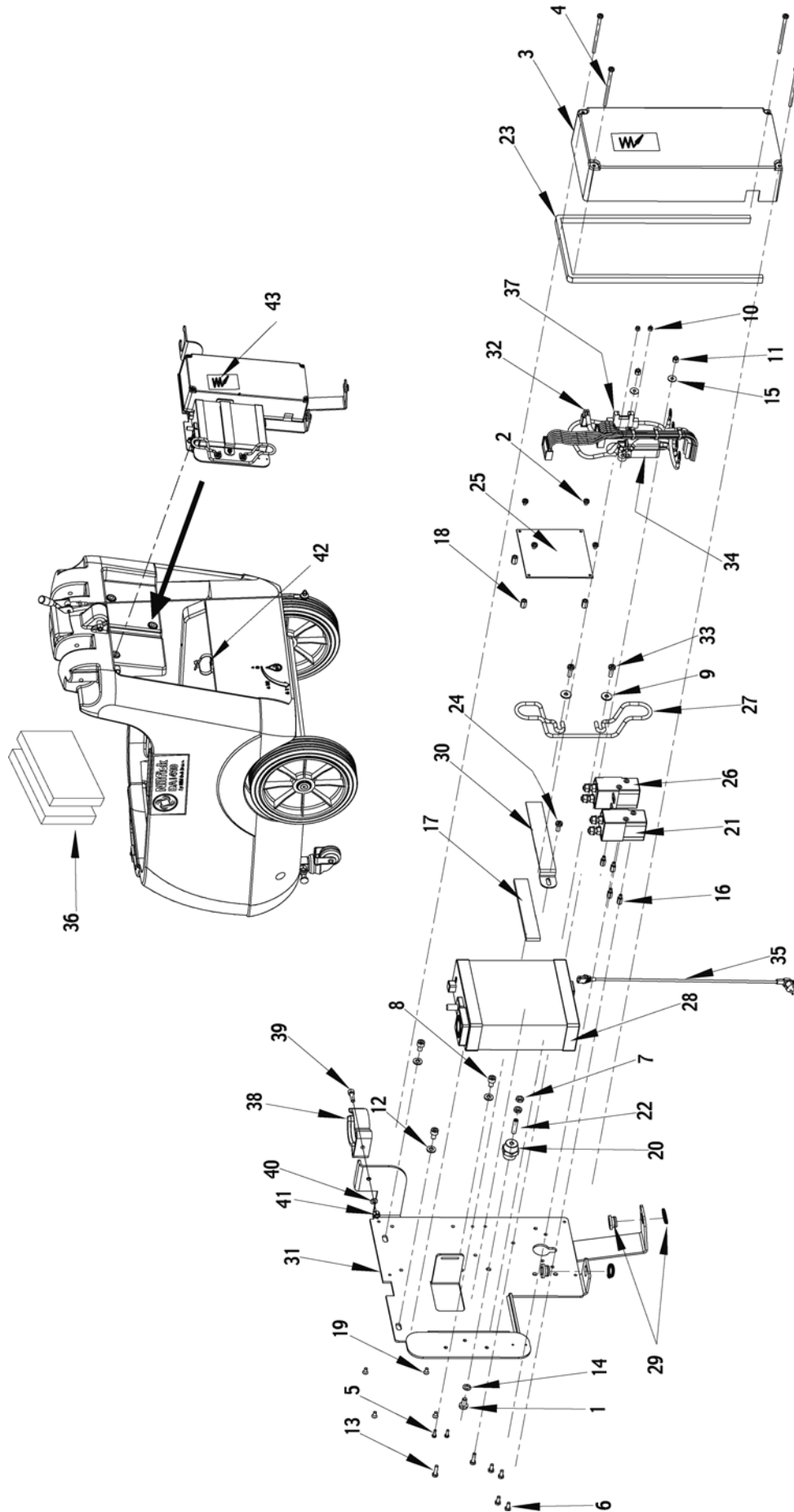


2004-08	SISTEMA ELETTRICO / WIRING SYSTEM	BOOK E		
2007-09	BA 410 - Before Serial Number 055121383	E	7.9.1	23

Pos Item Bild Rép	Codice Ref. No. Art. Nr. Réf. No	Q.tà Qty Menge Qté	Descrizione	Description	Beschreibung	Désignation
41	xxxxxxxxxx	1	DADO AUTOBLOCCANTE M5	NUT SELFLOCKING M5	MUTTER	ECROU
42	xxxxxxxxxx	1	FASCETTA	CLAMP	SCHELLE	COLLIER
43	145 1265 000	1	ADESIVO AVVISO TENSIONE	DECAL	KLEBSTREIFEN	ADHESIF
0	909 5595 000	1	CABLAGGIO MACCHINA BA410 (CON BATTERIA E CARICA BATTERIA)	MACHINE HARNESS BA 410 (W/BATTERY AND BATTERY CHARGER)	MASCHINE KABELVERBIN.BA 410 (M BATTERIE UND LADEGERAETE)	CABLAGE MACHINE BA 410 (AVEC BATTERIES ET CHARGEUR)
0	909 5675 000	1	CABLAGGIO MACCHINA BA410 (SENZA BATTERIA E SENZA CARICA BAT)	MACHINE HARNESS BA 410 (W/O BATTERY AND W/OB.CHARGER)	MASCHINE KABELVERBIN.BA 410 (OHNE BATTERIE OHNE LADEGERAETE)	CABLAGE MACHINE (SANS BATTERIES ET SANS CHARGEUR)
0#	L08603889	1	CABLAGGIO BATTERIA BA410 (SENZA BATTERIA E SENZA CARICA BAT)	BATTERY HARNESS BA 410 (W/O BATTERY AND W/OB.CHARGER)	BATTERIE KABELVERBIN. BA 410 (OHNE BATTERIE OHNE LADEGERAETE)	CABLAGE BATTERIE (SANS BATTERIES ET SANS CHARGEUR)
0	145 9852 000	1	FUSIBILE 5A LAMA	BLADE FUSE 5A	SICHERUNG 5A	FUSIBLE 5A
0	145 3824 000	1	FUSIBILE 40A NASTRO	STRIP FUSE 40A	SICHERUNG 40A	FUSIBLE 40A
0	145 0227 000	1	FUSIBILE 40A LAMA	BLADE FUSE 40A	SICHERUNG 40A	FUSIBLE 40A
0	00190123	2	BATTERIA 12V 50AH	BATTERY 12V 50AH	BATTERIE 12V 50AH	BATTERIE 12V 50AH
0	909 5982 000	1	CAVO ALIMENTAZIONE CARICABATTERIA	POWER CABLE BATTERY CHARGER	KABELBATTERIE LADEGERAET	CABLE ALIMENTATION CHARGEUR
0	909 5983 000	1	CAVO DI USCITA CARICABATTERIA	CABLE OUTPUT BATTERY CHARGER	KABELBATTERIE LADEGERAET	CABLE CHARGEUR
0	909 5984 000	1	VENTOLA CARICABATTERIA	BATTERY CHARGER COOLING FAN	LUEFTERRAD TTERIELADEGERAET	VENTILATEUR CHARGEUR
0	909 6472 000	1	ISTRUZIONI MONTAGGIO KIT CARICABATTERIA	ASSEMBLING INSTRUCTIONS BATTERY CHARGER KIT	MONTAGE ANGABEN ATTERIELADEGERAET SATZ	INSTRUCTION POUR LE MONTAGE DU KIT CHARGEUR
0	909 5994 000	1	KIT VITERIA	WIRING SYSTEM HARDWARE KIT	SCHRAUBEN SATZ	KIT VIS

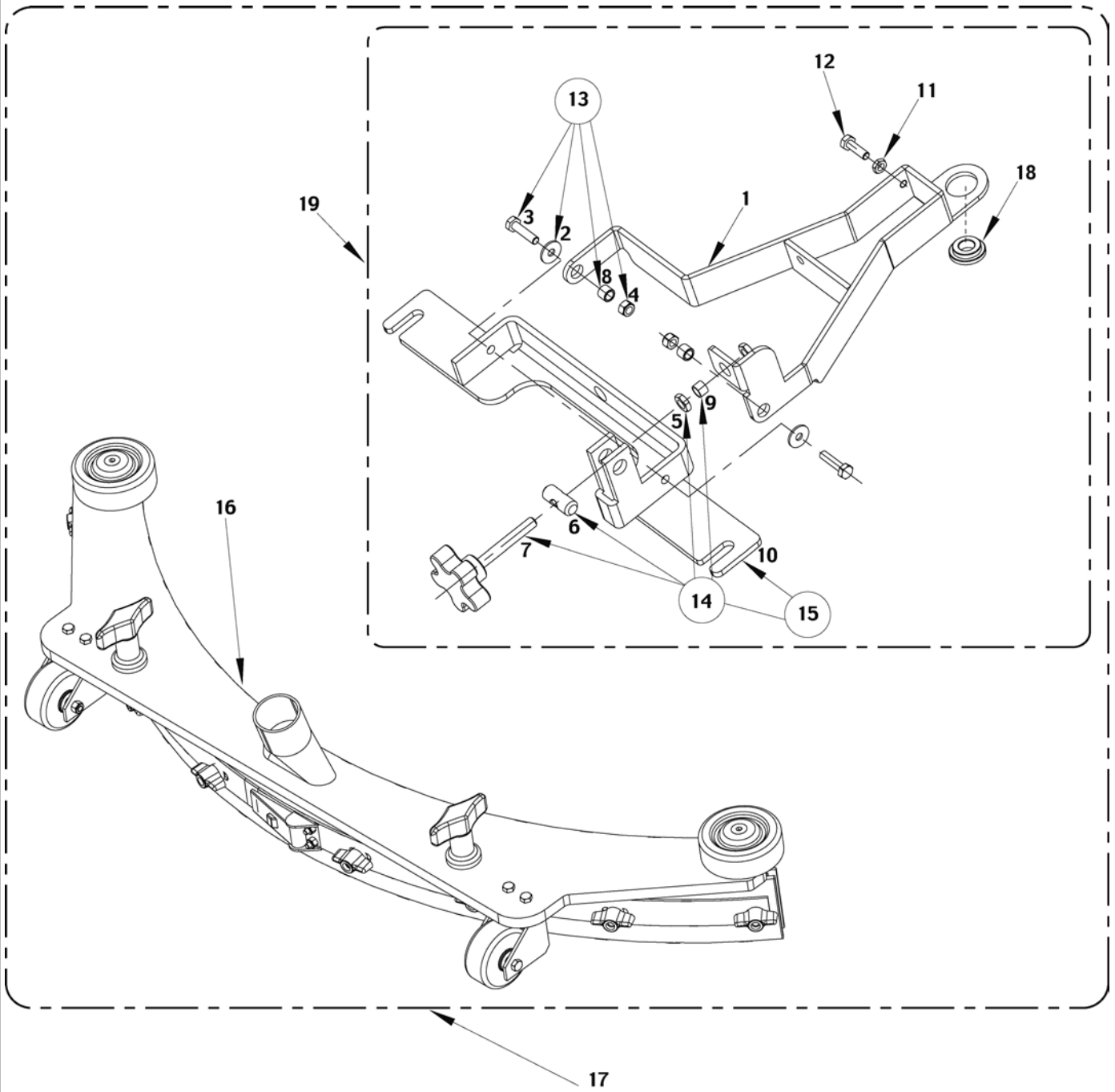


Pos Item Bild Rép	Codice Ref. No. Art. Nr. Réf. No	Q.tà Qty Menge Qté	Descrizione	Description	Beschreibung	Désignation
1	xxxxxxxxxx	1	VITE TCTC M6X12	SCREW CYL HD M6X12	SCHRAUBE	VIS
2	xxxxxxxxxx	4	VITE TCTC M4X6	SCREW CYL HD M4X6	SCHRAUBE	VIS
3	909 6568 000	1	COPERCHIO SCHEDA E.	COVER ELECTR.CARD	DECKEL	COUVERCLE
4	xxxxxxxxxx	4	VITE TCTC M4X70	SCREW CYL HD M4X70	SCHRAUBE	VIS
5	xxxxxxxxxx	2	VITE TE M3X10	SCREW HEX HD M3X10	SCHRAUBE	VIS
6	xxxxxxxxxx	4	VITE TE M4X8	SCREW HEX HD M4X8	SCHRAUBE	VIS
7	xxxxxxxxxx	2	DADO E.BASSO M6	NUT HEX LOW M6	MUTTER	ECROU
8	xxxxxxxxxx	3	VITE TCEI M6X10	SCREW CYL HD M6X10	SCHRAUBE	VIS
9	xxxxxxxxxx	2	RONDELLA PIANA 5X15 INOX	WASHER FLAT 5X15 SS	BEILAGSCHEIBE	RONDELLE
10	xxxxxxxxxx	2	DADO E.AUTOBL.M3	NUT HEX SELFLOCK M3	MUTTER	ECROU
11	xxxxxxxxxx	2	DADO E.AUTOBL.M4	NUT HEX SELFLOCK M4	MUTTER	ECROU
12	xxxxxxxxxx	3	RONDELLA PIANA	WASHER FLAT	BEILAGSCHEIBE	RONDELLE
13	xxxxxxxxxx	2	VITE TE M4X16	SCREW HEX HD M4X16	SCHRAUBE	VIS
14	xxxxxxxxxx	2	RONDELLA E. SPAC.	WASHER SPLIT	BEILAGSCHEIBE	RONDELLE
15	xxxxxxxxxx	4	RONDELLA PIANA 4X9	WASHER FLAT 4X9	BEILAGSCHEIBE	RONDELLE
16	xxxxxxxxxx	4	DISTANZIALE M4	SPACER M4	ABSTANDSTUECK	ENTRETOISE
17	146 0656 000	1	GUARNIZIONE AD. L=125 MM	GASKET L=125 MM	DICHTUNG	JOINT
18	xxxxxxxxxx	4	DISTANZIALE ES.	SPACER HEX	ABSTANDSTUECK	ENTRETOISE
19	xxxxxxxxxx	4	VITE TSPTC M4X8	SCREW M4X8	SCHRAUBE	VIS
20	146 0708 000	1	ISOLATORE M6 BIANCO	INSULATOR M6 WHITE	ISOLATOR	ISOLATEUR
21	909 5127 000	1	TELERUTTORE DOPPIO 24V	ELECTROMAGNETIC SWITCH24V	SCHALTER	TELERUPTEUR
22	xxxxxxxxxx	1	GRANO M6X25	DOWEL M6X25	STIFT	GOUPILLE
23	146 2118 000	1	GUARNIZIONE CONT. L=750 MM	GASKET L=750 MM	DICHTUNG	JOINT
24	xxxxxxxxxx	1	VITE TCTC M5X12 INOX	SCREW CYL HD M5X12 SS	SCHRAUBE	VIS
25	909 5098 000	1	SCHEDA ELETTRONICA	ELECTRONIC CARD	ELEKRONISCHE KARTE	CARTE ELECTRONIQUE
26	146 0719 000	1	TELERUTTORE 24V	ELECTROMAGNETIC SWITCH 24V	SCHALTER	TELERUPTEUR
27	909 5149 000	1	SUPPORTO CAVO CARICABATT.	SUPPORT BATTERY CHARGER CABLE	HALTER	SUPPORT
28	909 6425 000	1	CARICABATTERIA 24V 8/9A - 100-240V	BATTERY CHARGER 24V 8/9A - 100-240V	BATTERIELADE GERAET 24V 8/9A - 100-240V	CHARGEUR BATTERIES 24V 8/9A - 100-240V
29	909 6062 000	2	KIT BOCCOLA GUIDA CAVO E SEEGER	KIT BUSH CABLE GIUDE AND RETAINING RING	SATZ BUCHSE MIT SICHERUNGSRING	BAGUE ET CIRCLIPS KIT
30	909 6234 000	1	STAFFACARICABATTERIE	BRACKET	STANGE	SUPPORT
31	909 5788 000	1	PIASTRA FISSAGGIO COMP.EL.	PLATE	PLATTE	PLAQUE
32	909 6426 000	1	CABLAGGIO SCHEDA ELET.	HARNESS ELECTRONIC CARD	ELEK.KARTE KABELVERBIND.	CABLAGE CARTE ELECTRONIQUE
33	xxxxxxxxxx	2	VITE TCTC M5X16	SCREW CYL HD M5X16	SCHRAUBE	VIS
34	145 8046 000	1	PORTAFUSIBILE LAMELLARE	BLADE FUSE HOLDER	SICHERUNGSHALTER	SUPPORT FUSIBLE
35	909 5633 000	1	PROLUNGA CAVO CARICA BATT.	CABLE EXTENTION	KABEL VERLAENGERUNG	CABLE EXTENSION
35	909 5676 000	1	PROLUNGA CAVO CARICA BATT. UK	CABLE EXTENTION UK	KABEL VERLAENGERUNG UK	CABLE EXTENSION UK
35	9096914000	1	PROLUNGA CAVO CARICA BATT. J	CABLE EXTENTION J	KABEL VERLAENGERUNG J	CABLE EXTENTION J
36#	L08812670	2	PANNELLO H=40 MM	RESTRAINT	PANEEL	PANEL
37	146 0660 000	1	PORTAFUSIBILE LAMELLARE	BLADE FUSE HOLDER	SICHERUNGSHALTER	SUPPORT FUSIBLE
38	xxxxxxxxxx	1	FASCETTA FERMATUBO Ø50	CLAMP Ø50	SHELLE	COLLIER
39	xxxxxxxxxx	1	VITE TCEI M5X16	SCREW M5X16	SCHRAUBE	VIS
40	xxxxxxxxxx	1	RONDELLA PIANA 5X10	WASHER FLAT 5X10	BEILAGSCHEIBE	RONDELLE
41	xxxxxxxxxx	1	DADO AUTOBL. M5	NUT SELFLOCKING M5	MUTTER	ECROU
42	xxxxxxxxxx	1	FASCETTA	CLAMP	SHELLE	COLLIER



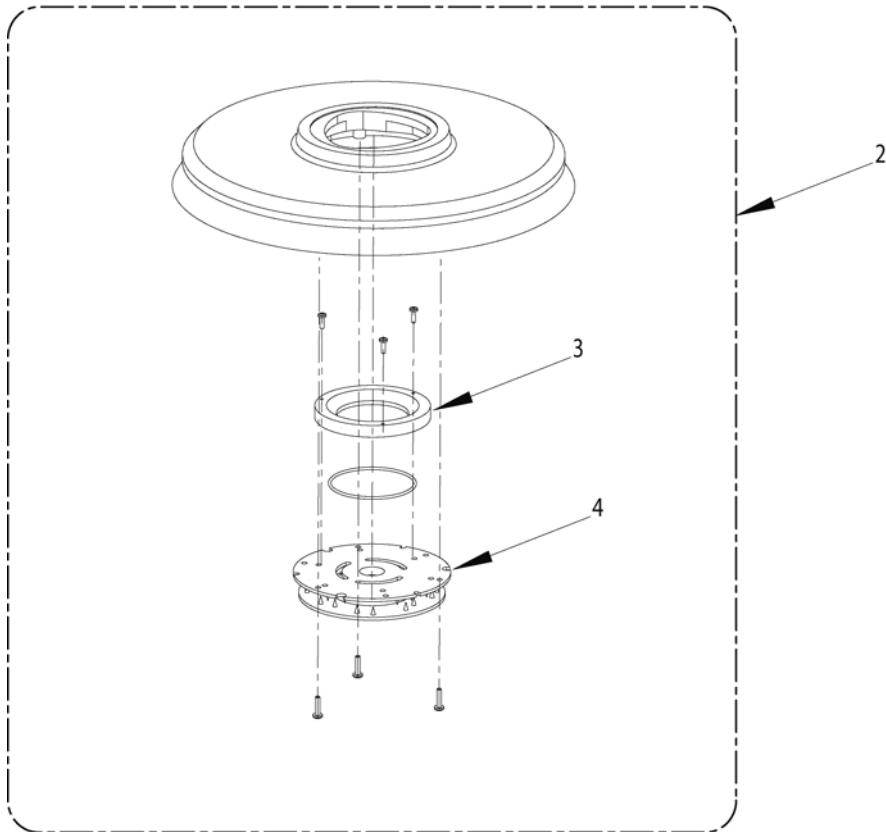
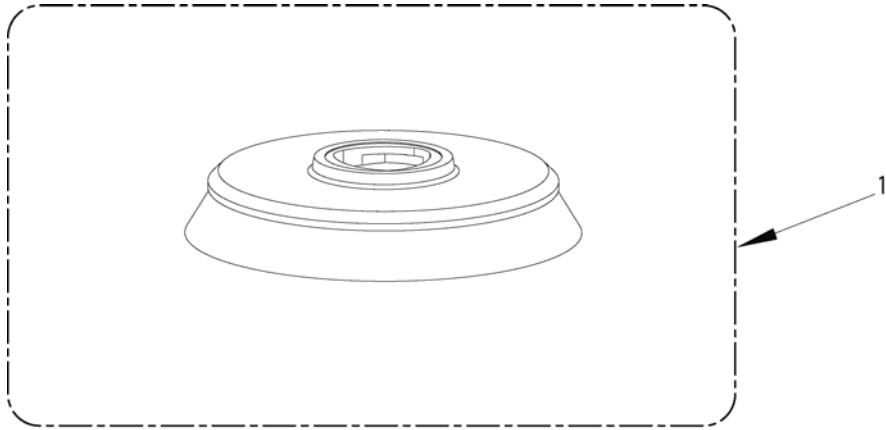
2004-08	SISTEMA ELETTRICO / WIRING SYSTEM	BOOK E		
2007-09	BA 410 - From Serial Number 055121383	E	7.9.1	27

Pos Item Bild Rép	Codice Ref. No. Art. Nr. Réf. No	Q.tà Qty Menge Qté	Descrizione	Description	Beschreibung	Désignation
43	xxxxxxxxxx	1	ADESIVO AVVISO TENSIONE	DECAL TENSION	KLEBSTREIFEN	ADHESIF
0	909 5595 000	1	CABLAGGIO MACCHINA BA410 (CON BATTERIA E CARICA BATTERIA)	MACHINE HARNESS BA 410 (W/BATTERY AND BATTERY CHARGER)	MASCHINE KABELVERBIN.BA 410 (M BATTERIE UND LADEGERAETE)	CABLAGE MACHINE BA 410 (AVEC BATTERIES ET CHARGEUR)
0	909 5675 000	1	CABLAGGIO MACCHINA BA410 (SENZA BATTERIA E SENZA CARICA BAT)	MACHINE HARNESS BA 410 (W/O BATTERY AND W/OB.CHARGER)	MASCHINE KABELVERBIN.BA 410 (OHNE BATTERIE OHNE LADEGERAETE)	CABLAGE MACHINE (SANS BATTERIES ET SANS CHARGEUR)
0#	L08603889	1	CABLAGGIO BATTERIA BA410 (SENZA BATTERIA E SENZA CARICA BAT)	BATTERY HARNESS BA 410 (W/O BATTERY AND W/OB.CHARGER)	BATTERIE KABELVERBIN. BA 410 (OHNE BATTERIE OHNE LADEGERAETE)	CABLAGE BATTERIE (SANS BATTERIES ET SANS CHARGEUR)
0	145 9852 000	1	FUSIBILE 5A LAMA	BLADE FUSE 5A	SICHERUNG 5A	FUSIBLE 5A
0	145 3824 000	1	FUSIBILE 40A NASTRO	STRIP FUSE 40A	SICHERUNG 40A	FUSIBLE 40A
0	145 0227 000	1	FUSIBILE 40A LAMA	BLADE FUSE 40A	SICHERUNG 40A	FUSIBLE 40A
0	00190123	2	BATTERIA GEL 12V 50AH	BATTERY GEL 12V 50AH	BATTERIE GEL 12V 50AH	BATTERIE GEL 12V 50AH
0	00190124	2	BATTERIA 6DF 070	BATTERY 6DF 070	BATTERIE 6DF 070	BATTERIE 6DF 070
0	909 5994 000	1	KIT VITI SISTEMA ELETTRICO	WIRING SYSTEM HARDWARE KIT (1,2,4,5, (1,2,4,5,6,7,8,9,10,11,12,13, 14,15,16,18,19,22,24,33,38, 39,40,41,42)	SCHRAUBEN SATZ (1,2,4,5,6,7,8,9,10,11,12,13, 14,15,16,18,19,22,24,33,38, 39,40,41,42)	KIT VIS (1,2,4,5,6,7,8,9,10,11,12,13, 14,15,16,18,19,22,24,33,38, 39,40,41,42)
			RICAMBI CARICA BATTERIE 909 6425 000	SPARES BATTERY CHARGER 909 6425 000	ERSATZTEILE BATTERIELADEGER. 909 6425 000	PIECES DETACHEES CHARGEUR DE BATT. 909 6425 000
0	909 6448 000	1	CABLAGGIO CARICABATTERIA	HARNESS BATTERY CHARGER	BATTERIELADEG. KABELVERBINDUNG	CABLAGE CHARGEUR
0	145 1248 000	1	TAPPO	BATTERY CHARGER CAP	PFROPFEN	BOUCHON POUR LE CHARGEUR
0	909 6446 000	1	VENTOLA RAFFREDDAMENTO	COOLING FAN	LUEFTERRAD	VENTILATEUR
0	909 6447 000	1	COPERCHIO ABS	COVER	DECKEL	COUVERCLE



2004-08	ACCESSORI / ACCESSORIES	BOOK E		
2007-09	BA 410	E	7.9.1	29

Pos Item Bild Rép	Codice Ref. No. Art. Nr. Réf. No	Q.tà Qty Menge Qté	Descrizione	Description
1	xxxxxxxxxx	1	STAFFA SUPPORTO TERGITORE	BRACKET SQUEEGEE HOLDER
2	xxxxxxxxxx	2	RONDELLA PIANA 6X18	WASHER FLAT 6X18
3	xxxxxxxxxx	2	VITE TE M6X25	SCREW HEX HD M6X25
4	xxxxxxxxxx	2	DADO E. AUTOBL. BASSO M6	NUT HEX LOW SELFLOCK M6
5	xxxxxxxxxx	2	DADO E. BASSO M8	NUT HEX LOW M8
6	xxxxxxxxxx	1	PERNO SUPPORTO	PIN SUPPORT
7	xxxxxxxxxx	1	VOLANTINO M8X55	HANDWHEEL M8X55
8	xxxxxxxxxx	2	DISTANZIALE 7X10X8	SPACER 7X10X8
9	xxxxxxxxxx	1	DISTANZIALE 8X10X7	SPACER 8X10X7
10	xxxxxxxxxx	1	SUPPORTO TERGITORE	HOLDER SQUEEGEE
11	xxxxxxxxxx	1	DADO ES. BASSO M6	NUT HEX M6 UNI5589
12	xxxxxxxxxx	1	VITE TE TF M6X20	SCREW M6X20 UNI5739
13#	L08812521	1	KIT FISSAGGIO TERGITORE (2,3,4,8)	HARDWARE SQUEEGEE FIX KIT (2,3,4,8)
14#	L08812518	1	KIT VITI REGOLAZIONE (5,6,7,9)	ADJUSTMENT SCREW KIT (5,6,7,9)
15#	L08603876	1	KIT FISSAGGIO SUPPORTO TERG.(10,14))	HOLDER SQUEEGEE KIT (10,14)
16#	L08603878	1	KIT TERGITORE COMPLETO	SQUEEGEE COMPLETE KIT
17*	909 5916 000	1	KIT TERGITORE CURVO	SQUEEGEE CURVED KIT
18	xxxxxxxxxx	1	DISTANZIALE	SPACER
19	909 6047 000	1	KIT SUPPORTO TERGITORE (1,2,3,4,5,6,7,8,9,10,11,12,18)	KIT SQUEEGEE SUPPORT (1,2,3,4,5,6,7,8,9,10,11,12,18)
0#	L08602463	1	GOMMA TERGI ANTERIORE	SQUEEGEE BLADE FRONT
0#	L08602468	1	GOMMA TERGI POSTERIORE	SQUEEGEE BLADE REAR
0*#	L08837041	1	KIT GOMME ANTIOLIO	BLADES OIL RESISTANT KIT
0	909 5917 000	1	ISTRUZIONI DI MONTAGGIO	INSTALLATION INSTRUCTIONS



2004-08	ACCESSORI / ACCESSORIES	BOOK E		
2007-09	BA 410	E	7.9.1	31

Pos Item Bild Rép	Codice Ref. No. Art. Nr. Réf. No	Q.tà Qty Menge Qté	Descrizione	Description
1*	909 5691 000	1	SPAZZOLA Ø430 MIDLITE GRIT180	BRUSH Ø430 MIDLITE GRIT180
1*	909 5692 000	1	SPAZZOLA Ø430 MIDRIT 240	BRUSH Ø430 MIDRIT 240
1*	909 5693 000	1	SPAZZOLA Ø430 PROLITE	BRUSH Ø430 PROLITE
1*	909 5694 000	1	SPAZZOLA Ø430 UNION MIX	BRUSH Ø430 UNION MIX
2*	909 5695 000	1	KIT DISCO TRASCINATORE	PAD HOLDER 410
3#	L08603966	1	ANELLO NYLON	RING NYLON
4#	L08837030	1	MOZZO ATTACCO	RETAINER PAD

	Codice Ref. No.	Q.tà Qty	Descrizione	Description
--	--------------------	-------------	-------------	-------------

MATERIALE DI USURA / WEAR PARTS

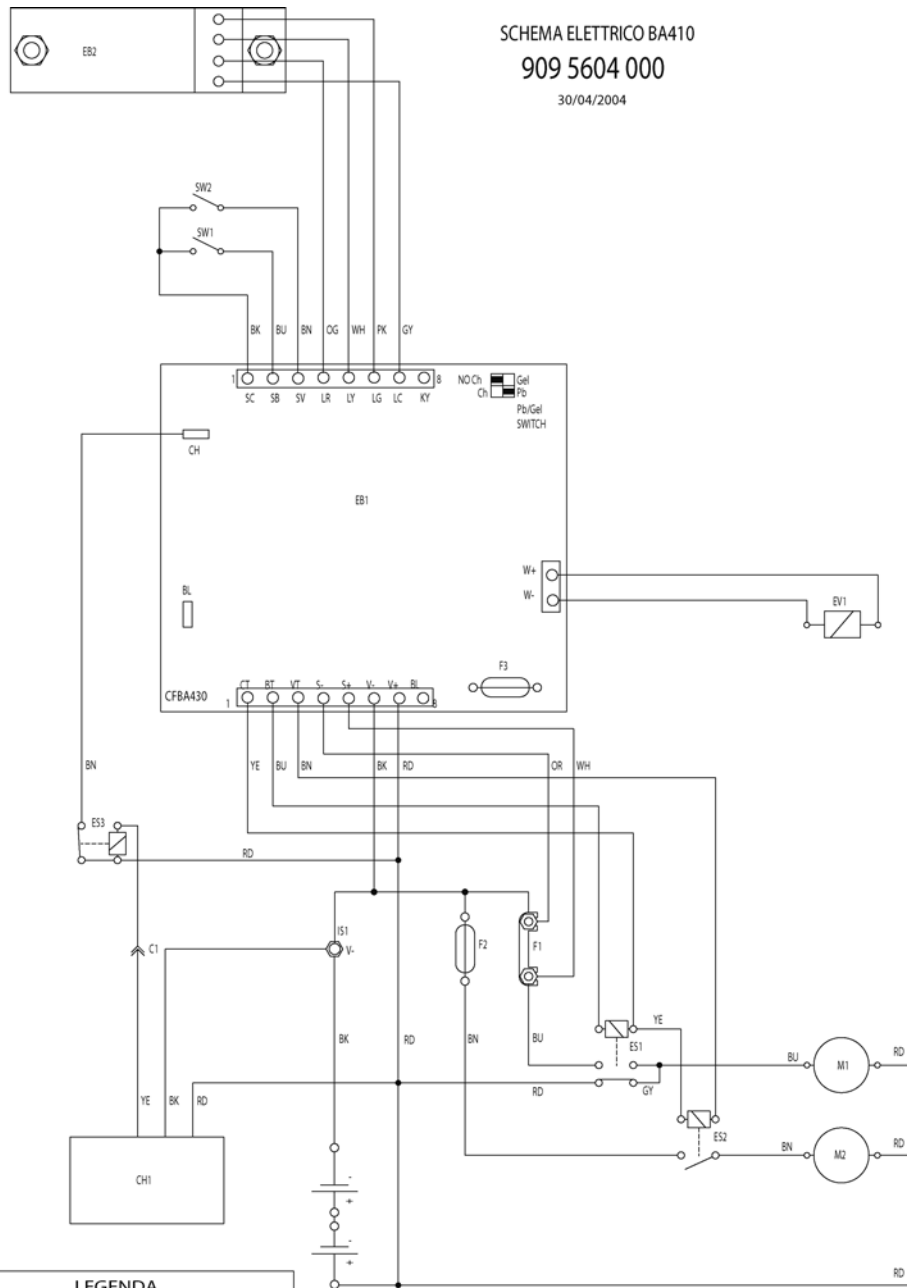
#	9097166000	1	KIT FILTRO COMPLETO	KIT WATER FILTER COMPLETE
	L08603893	1	KIT RETE FILTRO	KIT FILTER NET WITH GASKET
	909 5716 000	1	GUARNIZIONE L=1250 MM	GASKET L=1250 MM
	909 5568 000	1	GOMMA TERGITORE POSTERIORE	BLADE REAR
	909 5569 000	1	GOMMA TERGITORE ANTERIORE	BLADE FRONT
	909 5555 000	4	MOLLA RITEGNO	SPRING
#	L08812891	1	SPAZZOLA Ø430 PROLENE PPL STD	BRUSH Ø430 PROLENE PPL STD

MANUTENZIONE ORDINARIA / ORDINARY MAINTENANCE

#	L08812869	1	TUBO DI SCARICO ACQUA	DRAIN HOSE
	909 5578 000	1	TUBO ASPIRAZIONE (PRIMA TSB 2006-001)	SUCTION HOSE (BEFORE TSB 2006-001)
	909 6060 000	1	TUBO ASPIRAZIONE (DOPO TSB 2006-001)	SUCTION HOSE (AFTER TSB 2006-001)
	909 5579 000	1	TUBO MOTORE ASPIRAZIONE	VACUUM MOTOR HOSE
	145 0227 000	1	FUSIBILE 40A LAMA	BLADE FUSE 40A
	145 3824 000	1	FUSIBILE 40A NASTRO	STRIP FUSE 40A
	145 9852 000	1	FUSIBILE 5A LAMA	BLADE FUSE 5A

MANUTENZIONE STRAORDINARIA / EXTRAORDINARY MAINTENANCE

#	L08812960	1	ELETTRIVALVOLA 24V	SOLENOID VALVE 24V
	909 5977 000	1	KIT ELETTRIVALVOLA 24V	SOLENOID VALVE KIT
	909 5651 000	1	PORTAGOMMA 90° PER TUBO Ø10	RUBBER HOLDER
#	L08601624	3	PORTAGOMMA 1/4	RUBBER HOLDER
	909 5696 000	1	RUBINETTO SCARICO ACQUA	VALVE
	909 5713 000	1	KIT MOTORE ASPIRATORE	KIT VACUUM MOTOR W/CONNECTOR
	909 5371 000	2	CARBONCINO	CARBON BRUSH
	909 5573 000	1	CAVO SOLLEVAMENTO TERGITORE	SQUEEGEE LIFTING CABLE
	909 5700 000	1	KIT CAVO SOLLEVAMENTO TERGITORE	KIT SQUEEGEE LIFT CABLE
	909 5564 000	1	TUBO FONOASSORBENTE	PIPE ACOUSTIC INSULATION
	909 5565 000	1	TUBO FONOASSORBENTE	PIPE ACOUSTIC INSULATION
	9097113000	1	MOTORIDUTTORE 520W 24V	REDUCTIONGEAR MOTOR 520W
	909 6893 000	1	KIT SPAZZOLE (4 PZ) (TSB IT 2007-011)	CARBON BRUSH KIT (4 PZ) (TSB IT 2007-011)
	146 3143 000	1	KIT SPAZZOLE CON CALOTTA (TSB IT 2007-011)	CARBON BRUSH W/COVER KIT (TSB IT 2007-011)
	909 5720 000	1	KIT SPAZZOLE CON CALOTTA (TSB IT 2007-011)	CARBON BRUSH W/COVER KIT (TSB IT 2007-011)
	9097184000	1	ANTIVIBRANTE CILINDRICO M8	VIBRATION DAMPING
	909 5558 000	2	MOLLA TESTATA SPAZZOLA	SPRING
	909 5397 000	1	KIT RUOTA PARACOLPI	BUMPER ROLLER KIT
	9096915000	2	RUOTA COMPLETA	WHEEL
	909 5099 000	1	KIT REGOLATORE MANIGLIONE	HANDLE ADJUSTER KIT
	909 5701 000	1	KIT REGOLAZIONE MANIGLIONE	HANDLE ADJUSTING KIT
	909 5554 000	1	CORPO TERGITORE	SQUEEGEE WELDMENT
	909 5702 000	1	KIT TERGITORE COMPLETO	KIT SQUEEGEE COMPLETE
	909 5703 000	2	KIT RUOTA TERGITORE	KIT SQUEEGEE WHEEL
#	L08603880	2	KIT RUOTA PARACOLPI TERGITORE	KIT SQUEEGEE BUMPER ROLLER
	909 6062 000	1	KIT BOCCOLA GUIDA CAVO E SEEGER	KIT BUSH CABLE GUIDE AND RETAINING RING
	909 5584 000	1	INTERRUTTORE	SWITCH
	909 5098 000	1	SCHEDA ELETTRONICA	ELECTRONIC CARD
	909 6428 000	1	KIT CARICABATTERIA (PRIMA TSB 2006-002)	KIT BATTERY CHARGER (BEFORE TSB 2006-002)
	909 6425 000	1	CARICABATTERIA 100-230V (DOPO TSB 2006-002)	BATTERY CHARGER 100-230V (AFTER TSB 2006-002)
	146 0719 000	1	TELERUTTORE 24V	ELECTROMAGNETIC SWITCH 24V
	909 5127 000	1	TELERUTTORE 24V	ELECTROMAGNETIC SWITCH 24V

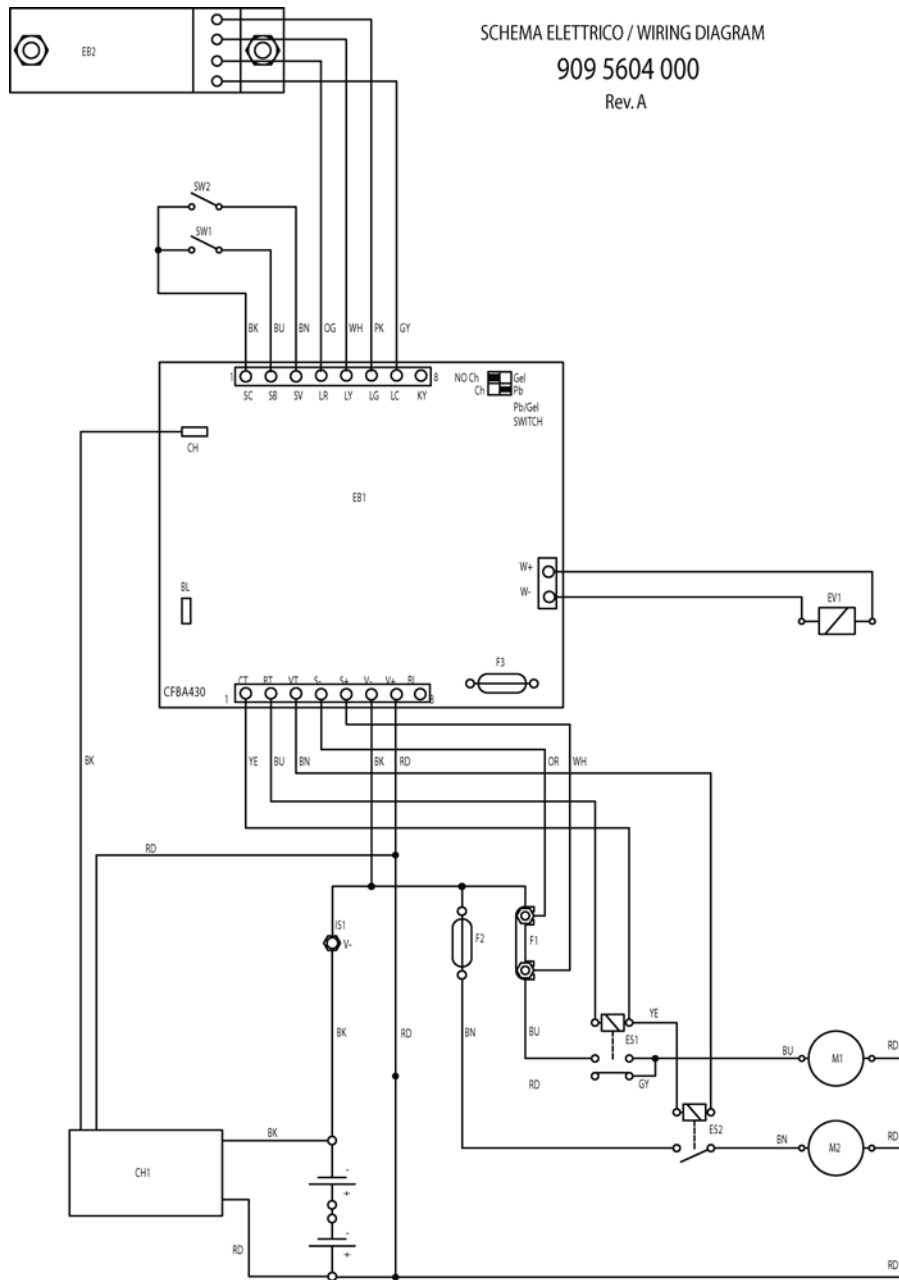


LEGENDA	
CH1	BATTERY CHARGER (OPT)
C1	CHARGER OUTPUT CONNECTOR (OPT)
EB1	ELECTRONIC BOARD (CFBA430)
EB2	LED BOARD (CFBALED)
ES1	BRUSH EL. SWITCH
ES2	VACUUM EL. SWITCH
ES3	CHARGER OUTPUT RELAIS (OPT)
EV1	WATER ELECTRIC VALVE
F1	BRUSH FUSE (40A)
F2	VACUUM FUSE (40A)
F3	WATER VALVE & ELECTR. FUSE (5A)
IS1	NEGATIVE INSULATOR
M1	BRUSH MOTOR
M2	VACUUM MOTOR
SW1	BRUSH SWITCH
SW2	VACUUM SWITCH

SCHEMA ELETTRICO / WIRING DIAGRAM

909 5604 000

Rev. A



LEGENDA

CH1	BATTERY CHARGER (OPT)
C1	CHARGER OUTPUT CONNECTOR (OPT)
EB1	ELECTRONIC BOARD (CFBA430)
EB2	LED BOARD (CFBALED)
ES1	BRUSH EL. SWITCH
ES2	VACUUM EL. SWITCH
EV1	WATER ELECTRIC VALVE
F1	BRUSH FUSE (40A)
F2	VACUUM FUSE (40A)
F3	WATER VALVE & ELECTR. FUSE (5A)
IS1	NEGATIVE INSULATOR
M1	BRUSH MOTOR
M2	VACUUM MOTOR
SW1	BRUSH SWITCH
SW2	VACUUM SWITCH

COLORS CODES

BK	BLACK	nero
BU	BLUE	azzurro
BN	BROWN	marone
GN	GREEN	verde
GY	GREY	grigio
OG	ORANGE	arancio
PK	PINK	rosa
RD	RED	rosso
VT	VIOLET	viola
WH	WHITE	bianco
YE	YELLOW	giallo



Nilfisk-Advance SpA

Registered office: Via F. Turati 16/18, 20121 Milano

Administrative office: Strada Comunale della Braglia n° 18

26862 Guardamiglio (Lodi)

www.nilfisk-advance.com

Phone: +39 0377 451124

Fax: +39 0377 51443

Printed in Italy